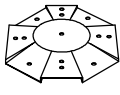
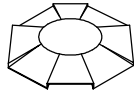


H×4PCS



A×1PC



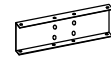
a×1PC



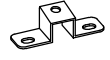
B×4PCS



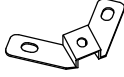
B1×4PCS



C×4PCS



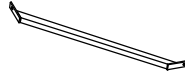
C1×4PCS



C2×4PCS



C3×8PCS



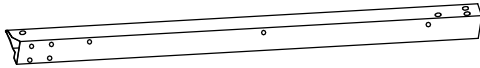
K×8PCS



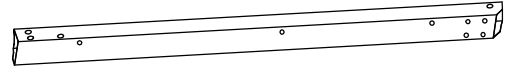
N×4PCS



O×4PCS



d1×4PCS



d2×4PCS



E×4PCS



F×4PCS



M×4PCS



G1×4PCS



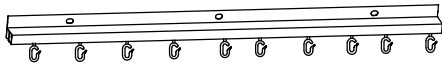
G2×4PCS



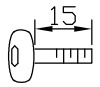
J1×4PCS



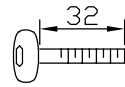
J2×4PCS



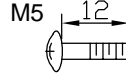
L1×8PCS



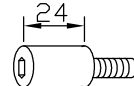
P1×148PCS



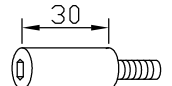
P2×1PC



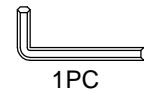
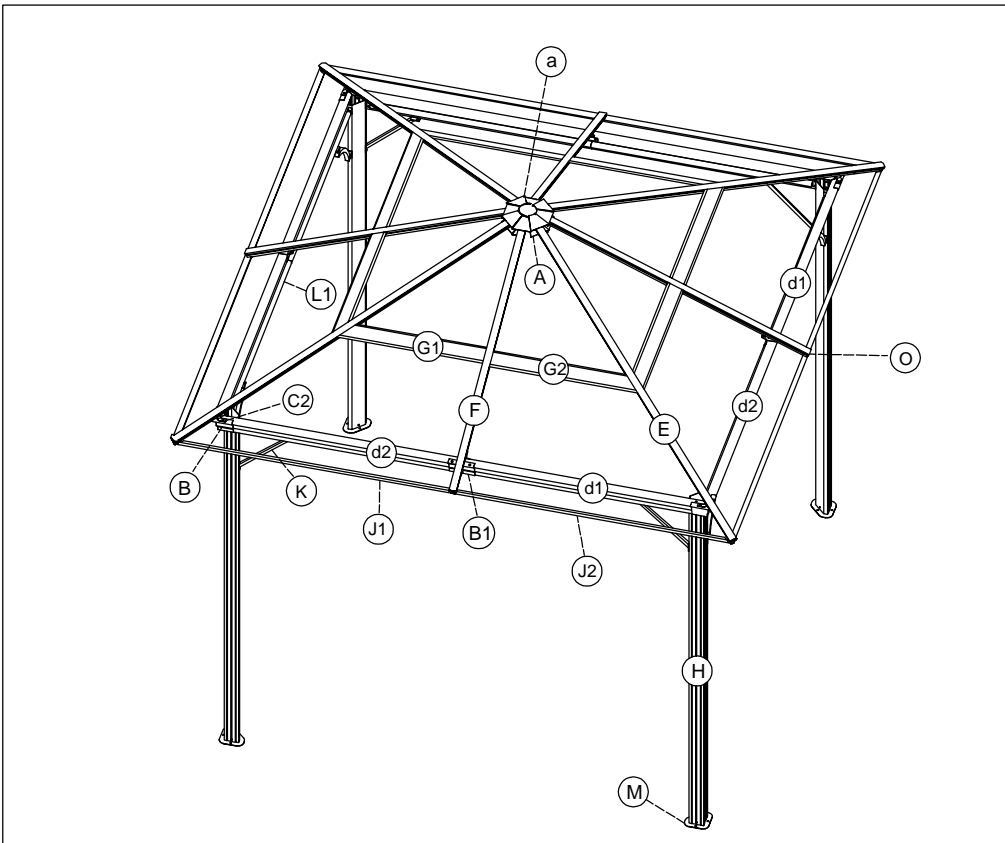
P3×12PCS



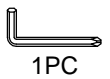
P4×8PCS



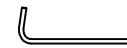
P5×8PCS



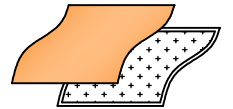
1PC



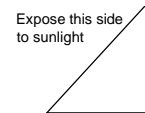
1PC



R×12PCS

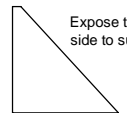


U×1SET



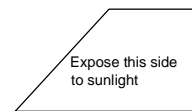
Expose this side to sunlight

V1×4PCS



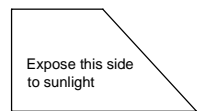
Expose this side to sunlight

V2×4PCS



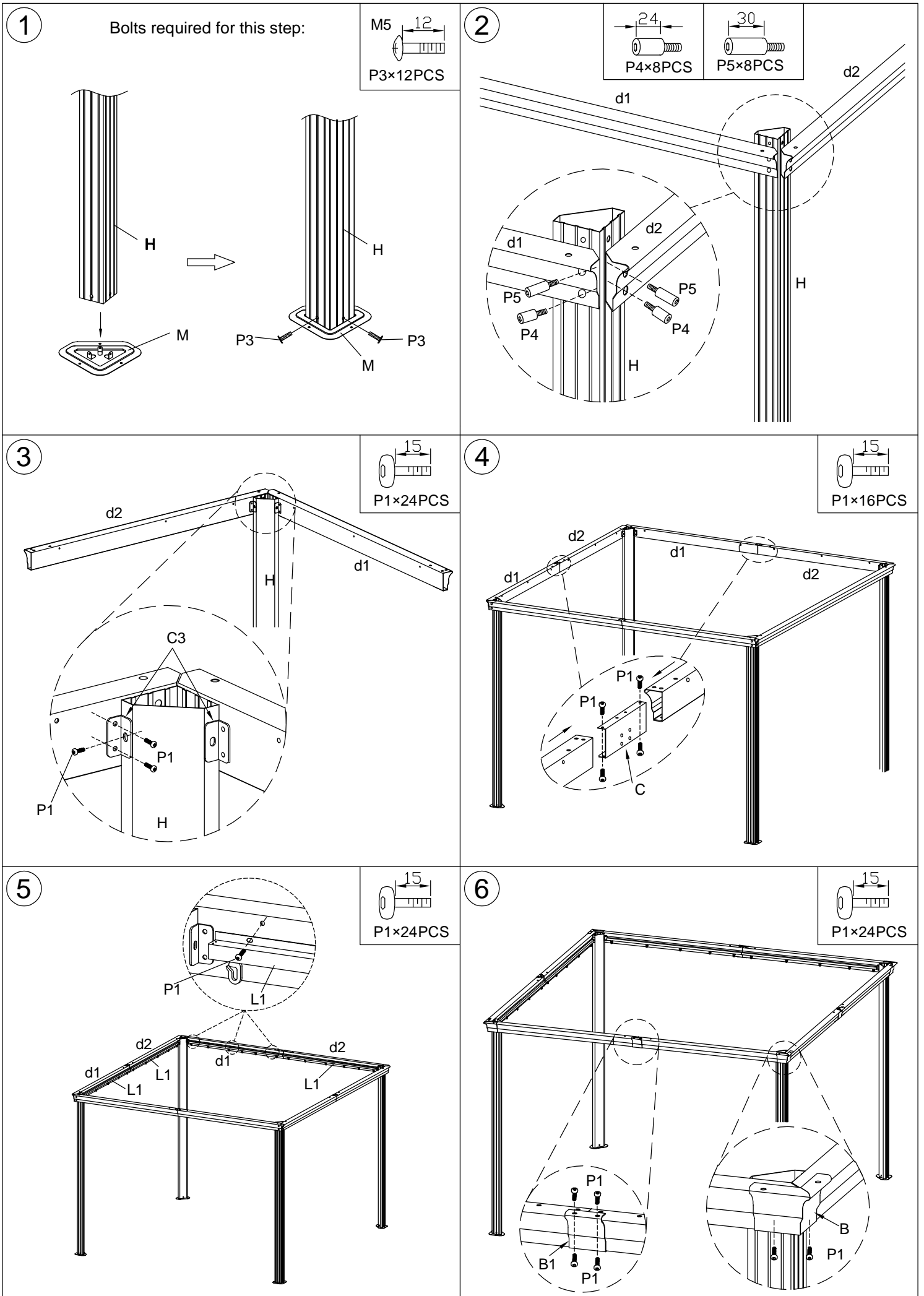
Expose this side to sunlight

V3×4PCS

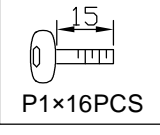
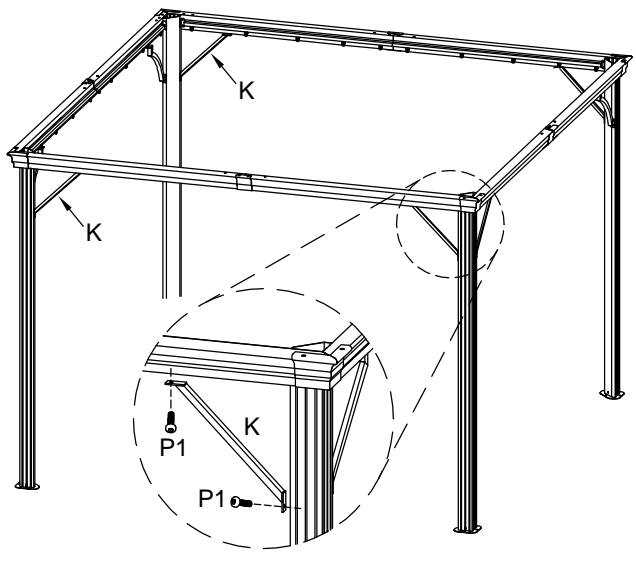


Expose this side to sunlight

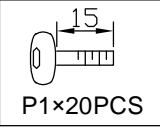
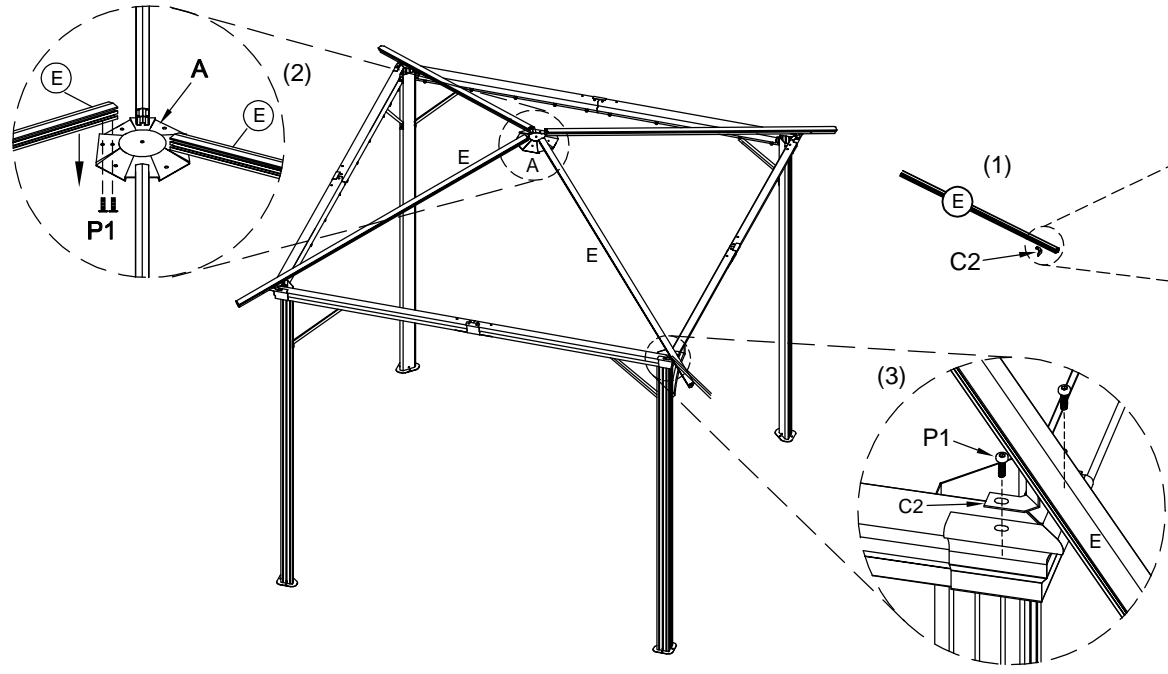
V4×4PCS



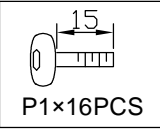
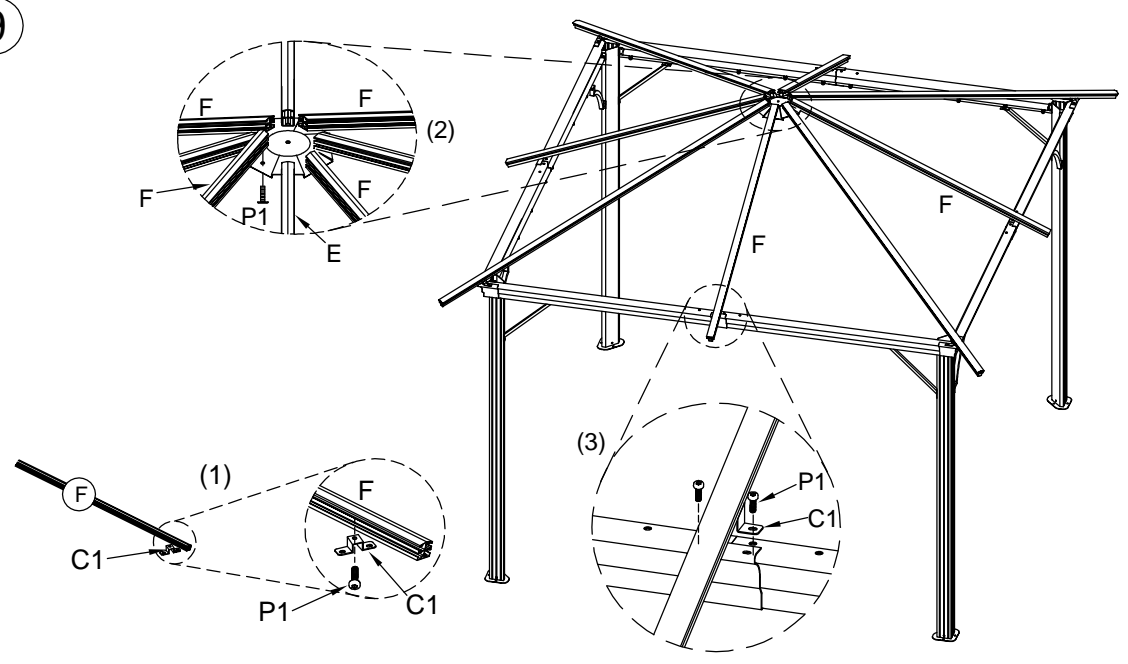
7



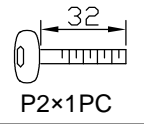
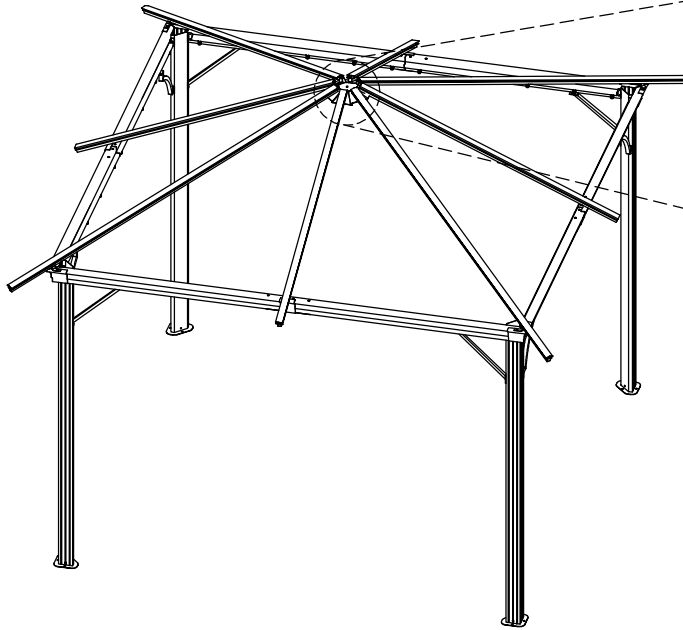
8



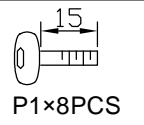
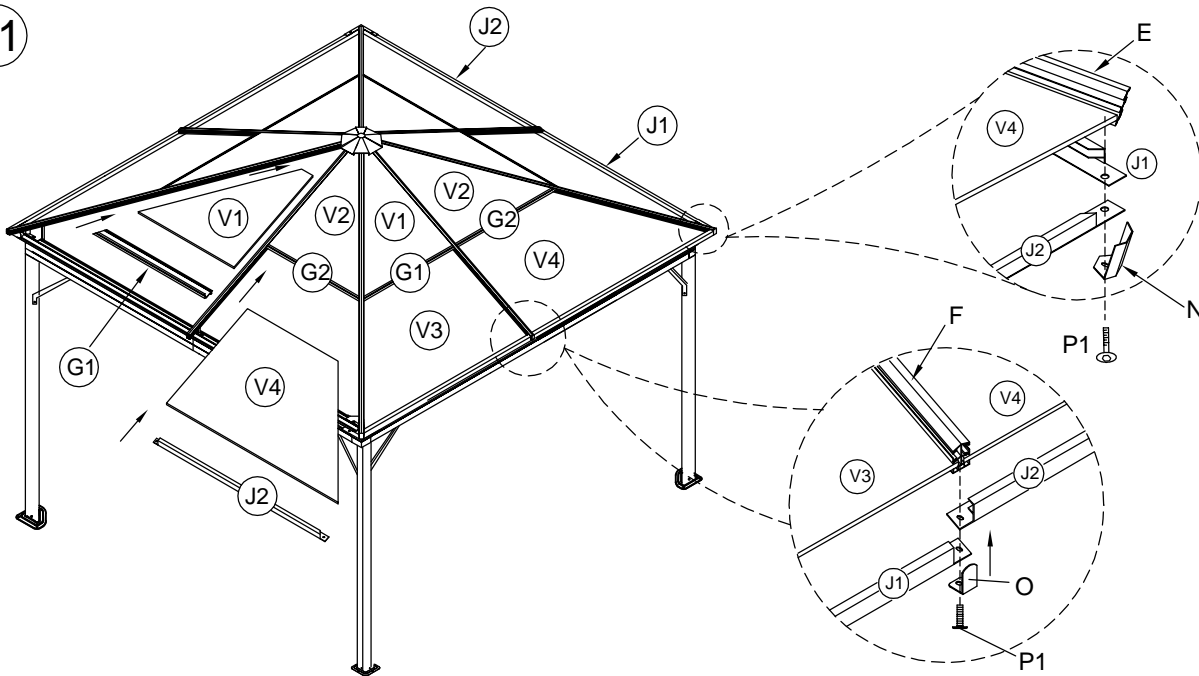
9



10



11



12

