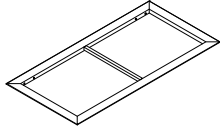

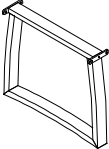

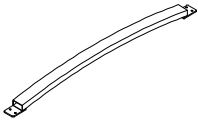



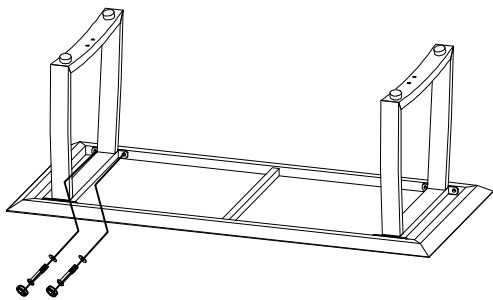


# ASSEMBLY INSTRUCTION DINING TABLE

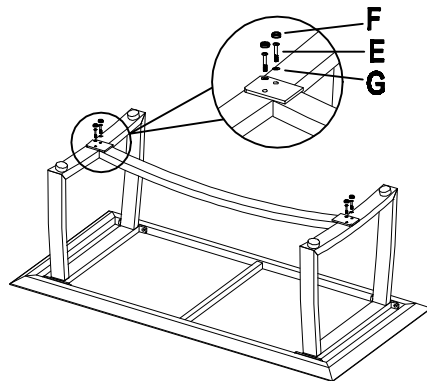
## PARTS LIST

<b>A</b>	<b>TABLE TOP</b>		<b>1</b>	<b>E</b>	<b>BOLT (M6 x 15 MM)</b>		<b>12</b>
<b>B</b>	<b>TABLE LEG</b>		<b>2</b>	<b>F</b>	<b>PLASTIC BOLT CAP</b>		<b>12</b>
<b>C</b>	<b>LEG CONNECTION</b>		<b>1</b>	<b>G</b>	<b>METAL WASHER</b>		<b>12</b>
<b>D</b>	<b>GLASS</b>		<b>1</b>	<b>H</b>	<b>ALLEN WRENCH</b>		<b>1</b>

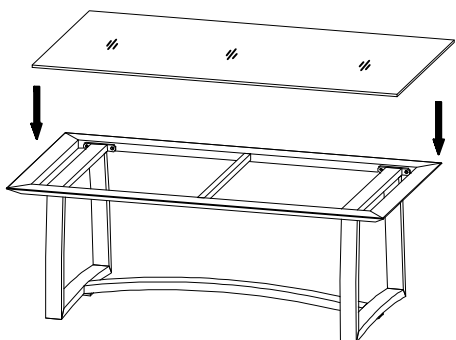
### Step 1



### Step 2



### Step 3



### Step 4

