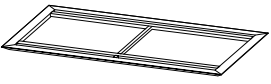

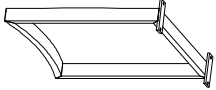






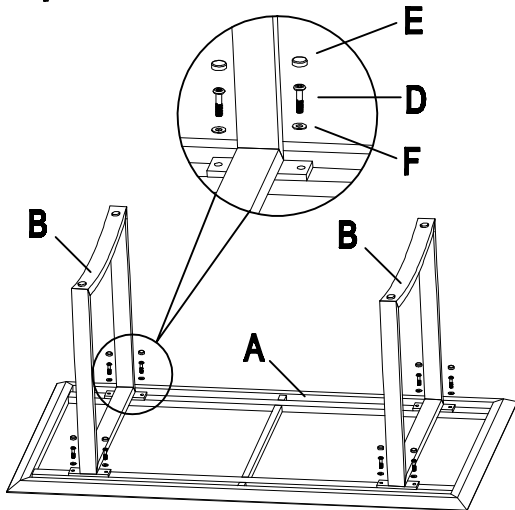
ASSEMBLY INSTRUCTION

DINING TABLE

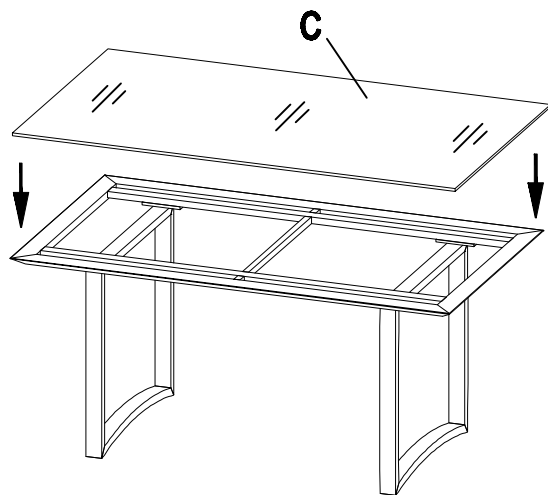
PARTS LIST

A	TABLE TOP		1	D	BOLT (M6 x 20 mm)		8
B	TABLE LEG		2	E	PLASTIC BOLT CAP		8
C	GLASS		1	F	METAL WASHER		8
				G	ALLEN WRENCH		1

Step 1



Step 2



Step 3

