





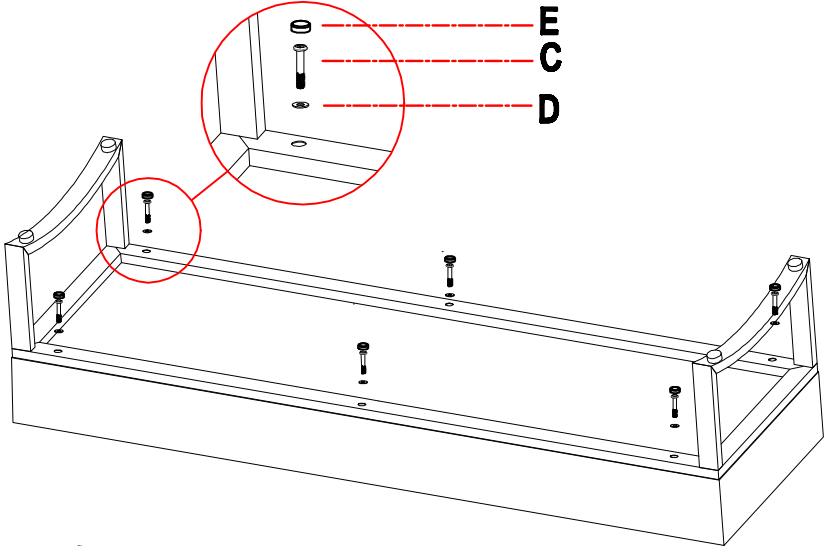


# ASSEMBLY INSTRUCTION SHHEET

## DINING CHAIR

PARTS LIST							
A	SEAT		1	D	METAL WASHER		6
B	BASE		1	E	PLASTIC BOLT CAP		6
C	BOLT (M6x40mm)		6	F	ALLEN WRENCH		1

### Step 1



### Step 2

