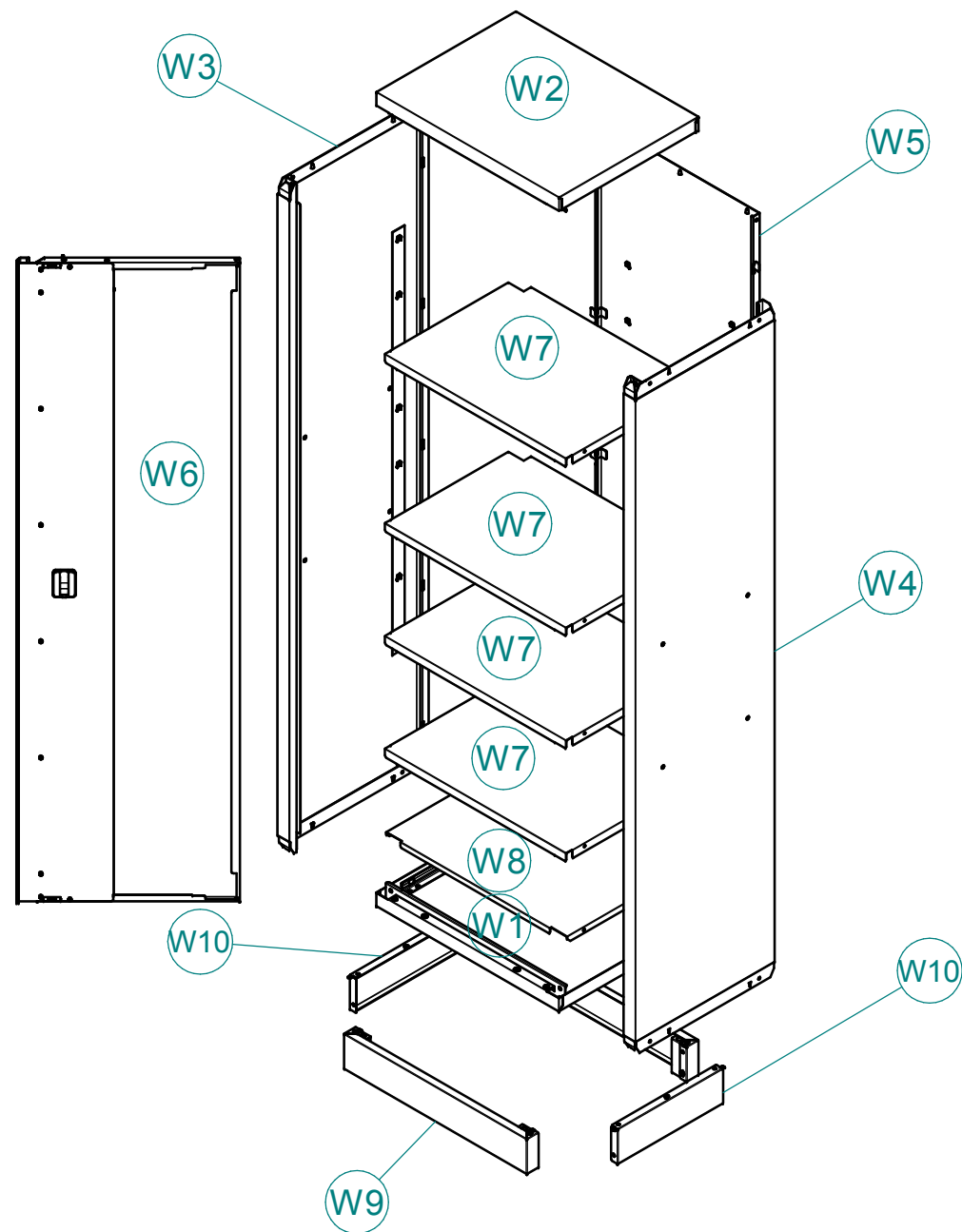


ASSEMBLY INSTRUCTIONS

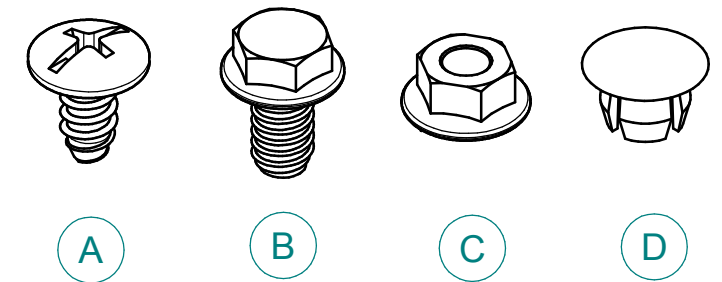
PARTS LIST

ITEM	DESCRIPTION	QTY.
W1	Bottom Panel	1
W2	Top Panel	1
W3	Left Side Panel	1
W4	Right Side Panel	1
W5	Back Panel	1
W6	Door	1
W7	Adjustable Shelf	4
W8	Bottom Shelf	1
W9	Base Front Panel	2
W10	Base Side Panel	2

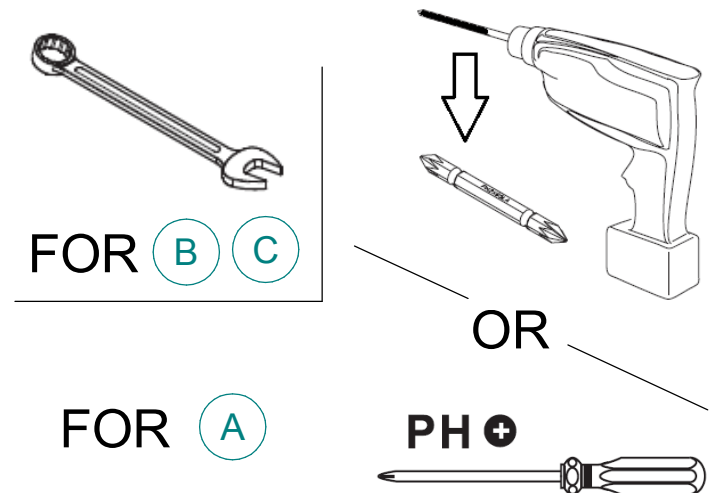


HARDWARE CONTENTS

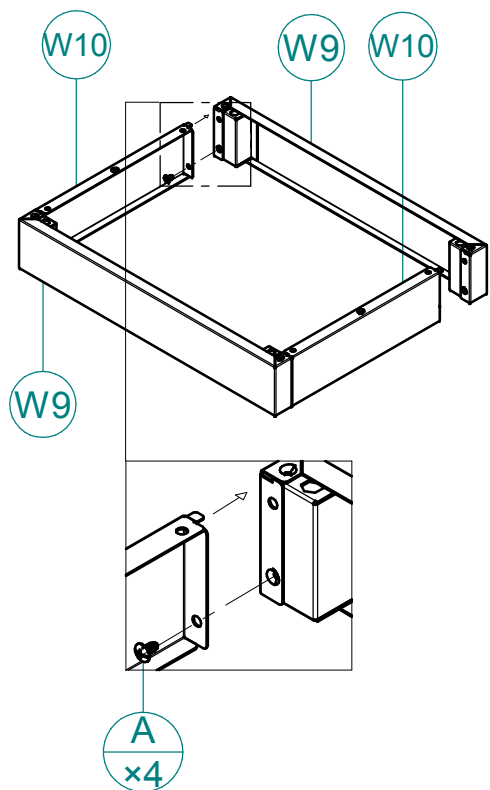
NO.	DESCRIPTION	QTY.
A	Screws ST6×12	18+1
B	Bolts M6×16	4
C	Nuts M6	4
D	Plastic pins	4



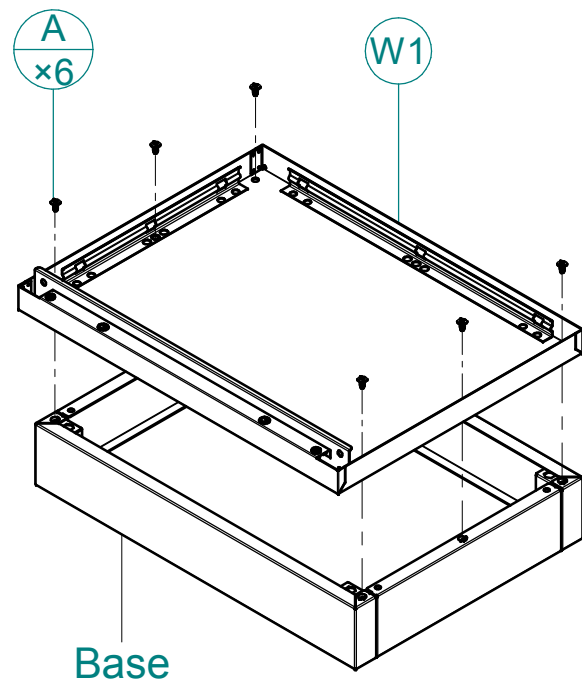
RECOMMENDED TOOLS FOR INSTALLATION



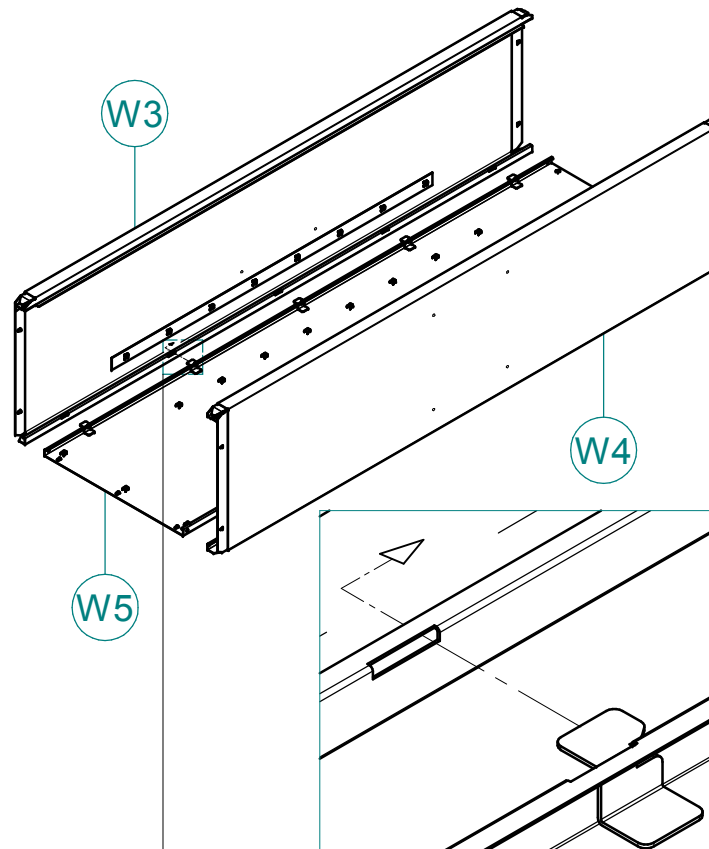
Step 1 (Base)



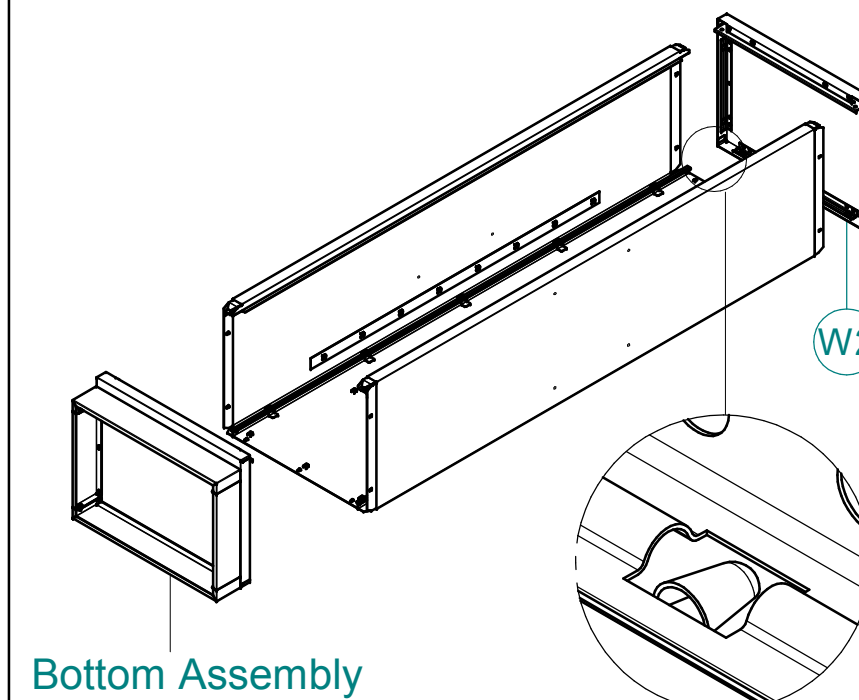
Step 2 (Bottom Assembly)



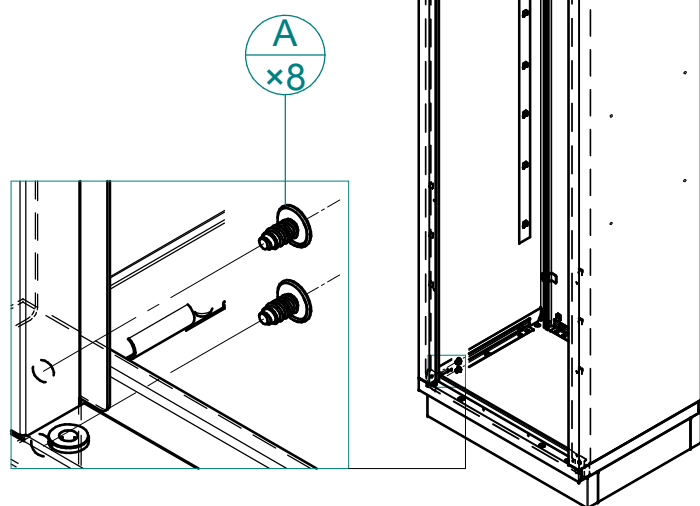
Step 3



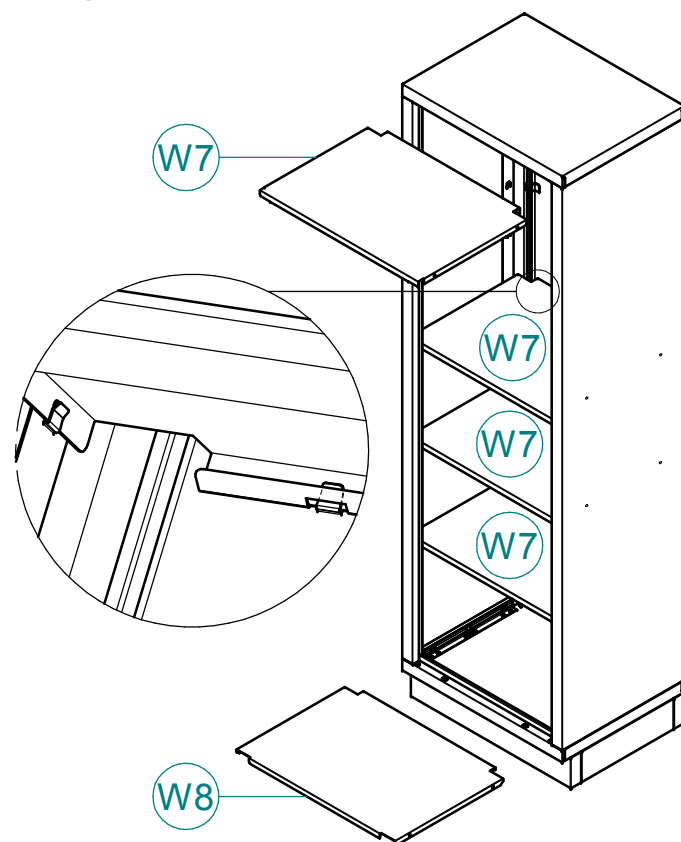
Step 4



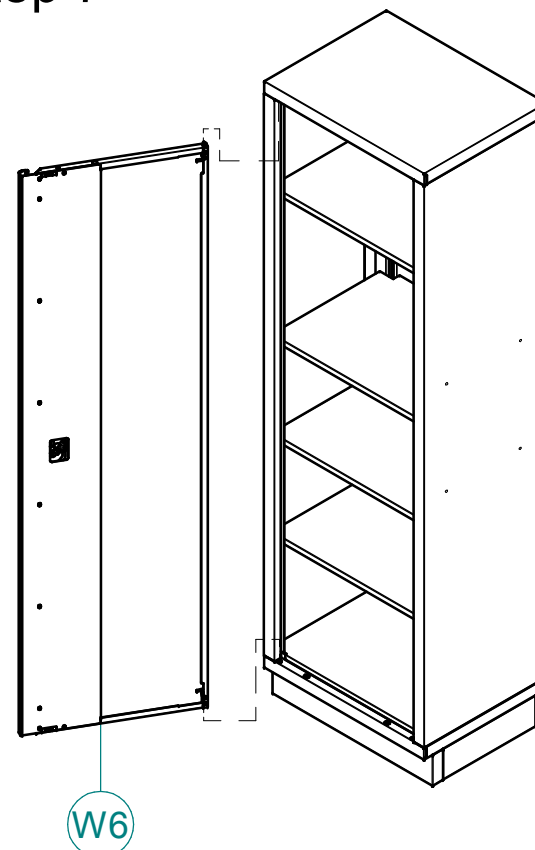
Step 5



Step 6



Step 7



Step 8

