









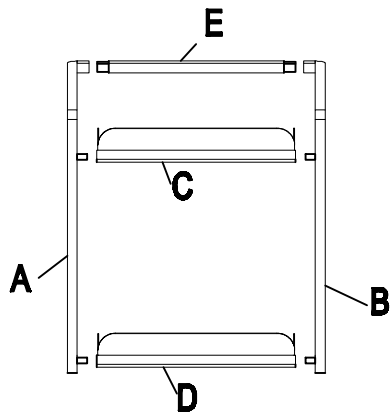


ASSEMBLY INSTRUCTION TROLLEY

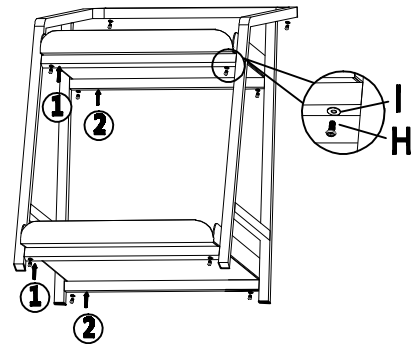
PARTS LIST

A	LEFT TRIPOD		1	F	FRONT WHEEL		2
B	RIGHT TRIPOD		1	G	BACK WHEEL		2
C	TRAY 1		1	H	BOLT (M6 x 15 mm)		10
D	TRAY 2		1	I	METAL WASHER		10
E	HANDRAIL TUBE		1	J	ALLEN WRENCH		1

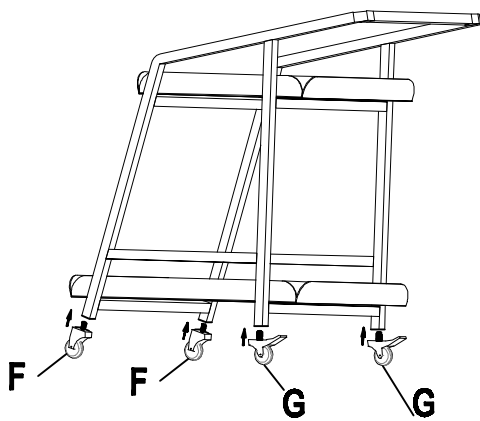
Step 1



Step 2



Step 3



Step 4

