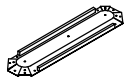
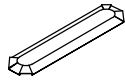


H×4PCS



A×1PC



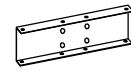
a×1PC



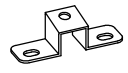
B×4PCS



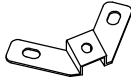
B1×4PCS



C×4PCS



C1×6PCS



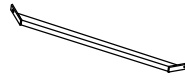
C2×4PCS



C3×8PCS



C4×4PCS



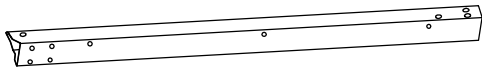
K×8PCS



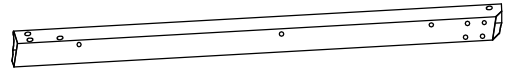
N×4PCS



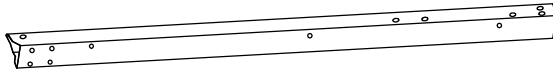
O×6PCS



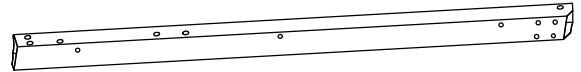
d1×2PCS



d2×2PCS



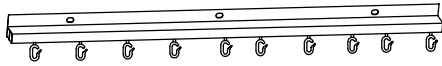
D1×2PCS



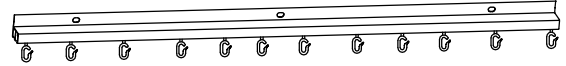
D2×2PCS



M×4PCS



L1×4PCS



L2×4PCS



E×4PCS



F×6PCS



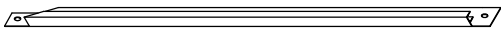
G1×4PCS



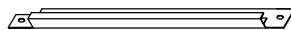
G3×2PCS



G2×4PCS



J1×4PCS



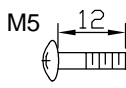
J3×2PCS



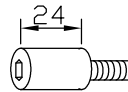
J2×4PCS



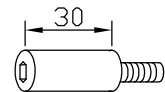
P1×165PCS



P3×12PCS



P4×8PCS



P5×8PCS



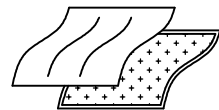
R×12PCS



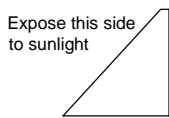
1PC



1PC

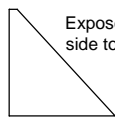


U×1SET



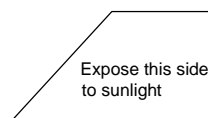
Expose this side to sunlight

V1×4PCS



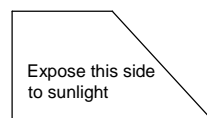
Expose this side to sunlight

V2×4PCS



Expose this side to sunlight

V3×4PCS



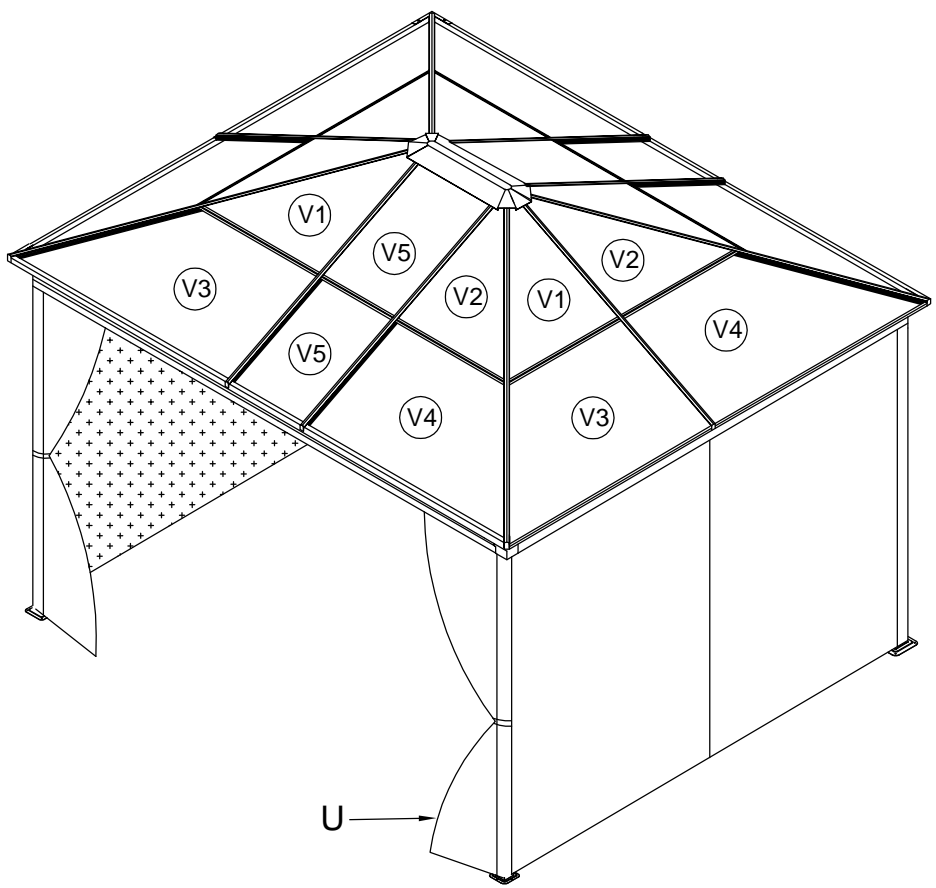
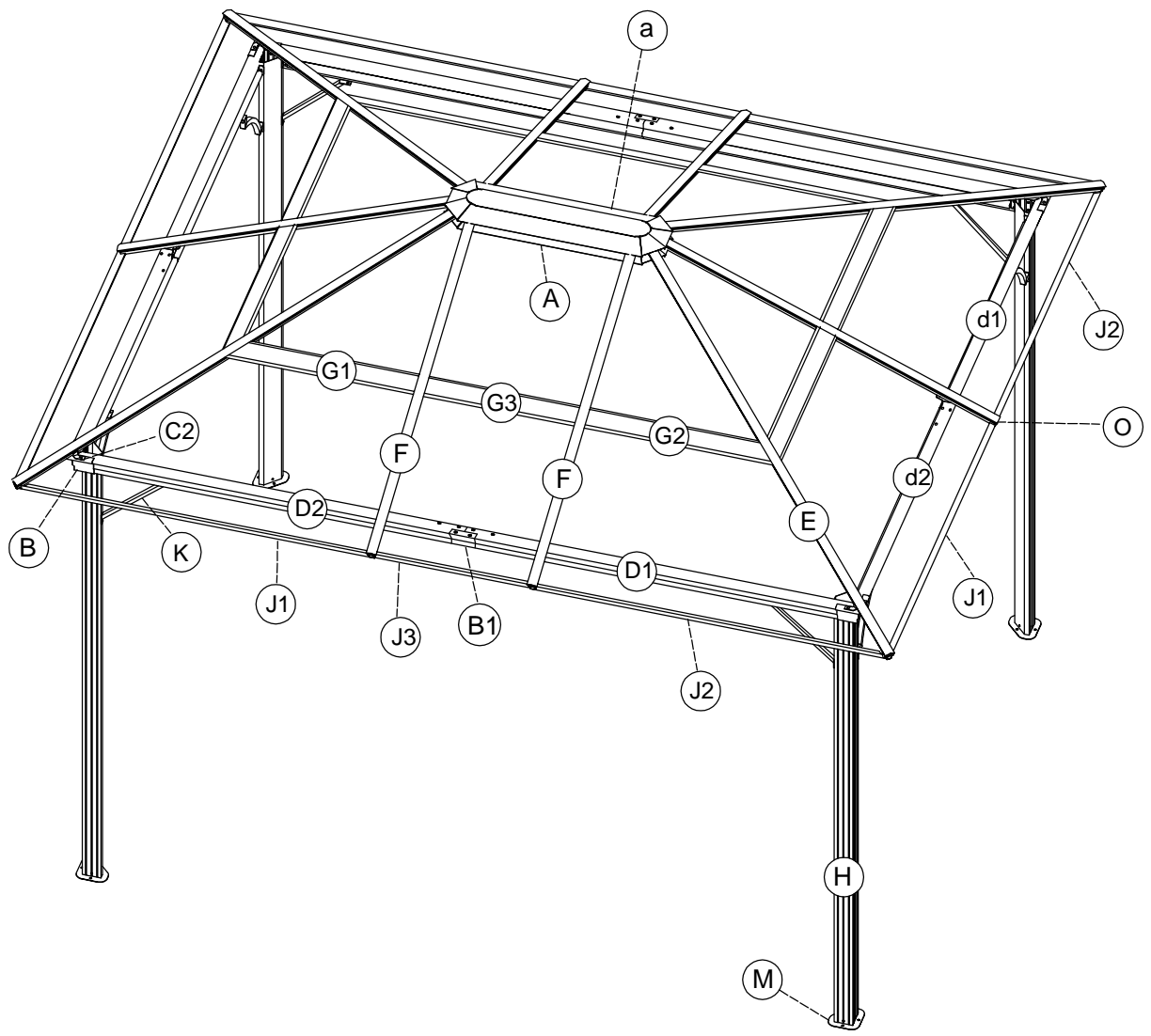
Expose this side to sunlight

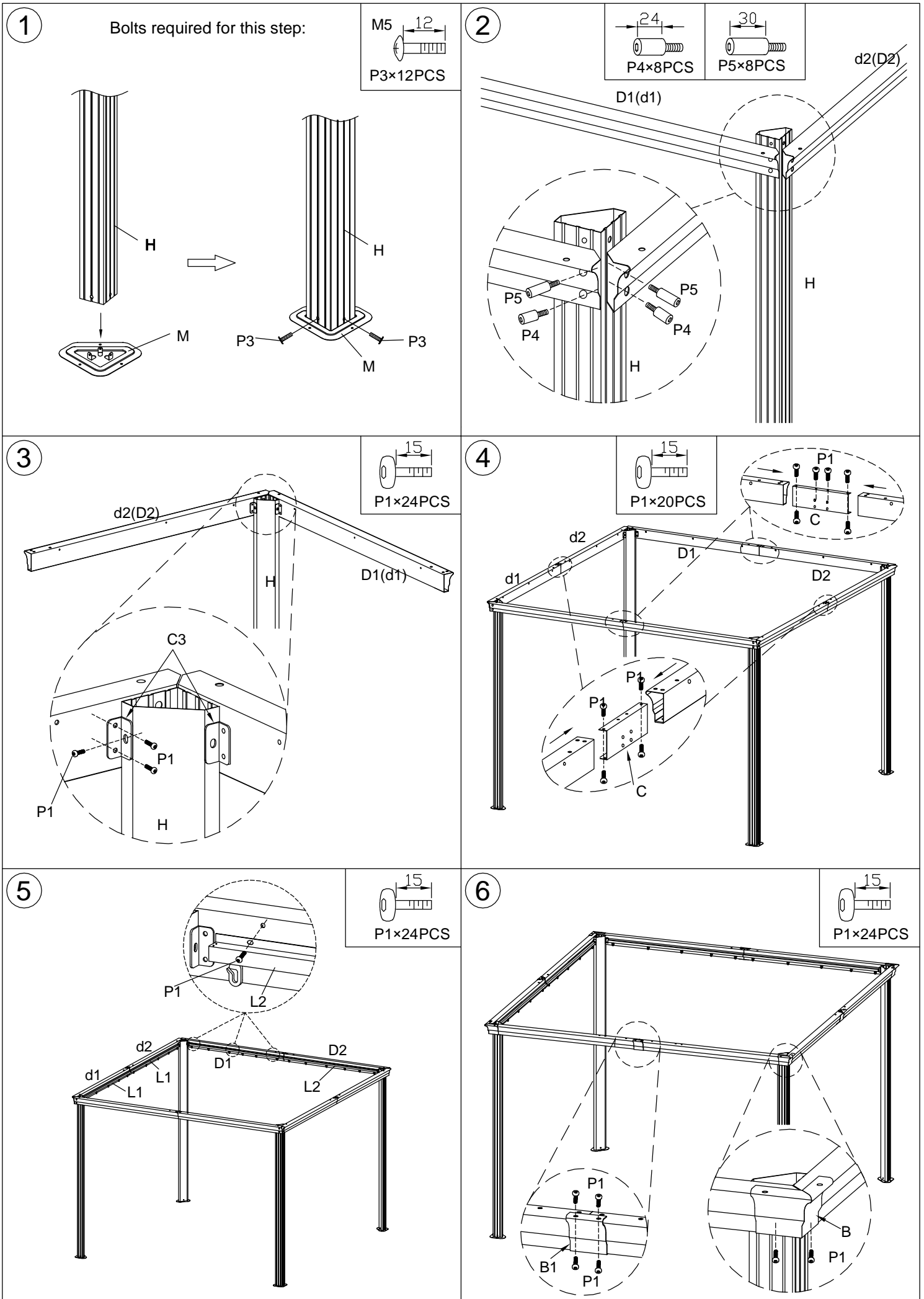
V4×4PCS



Expose this side to sunlight

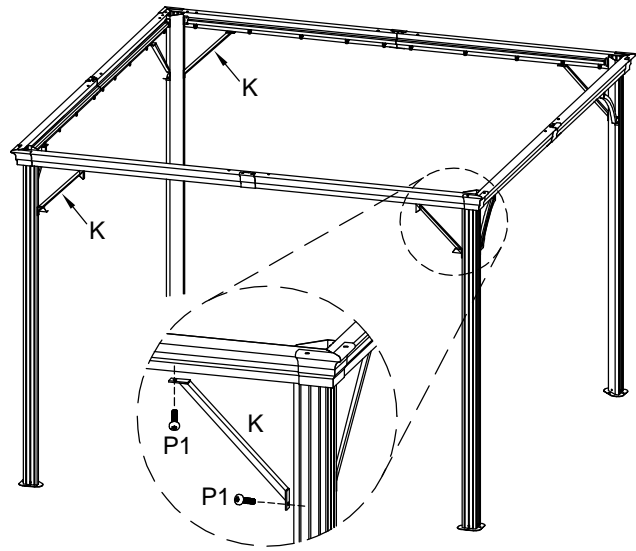
V5×4PCS





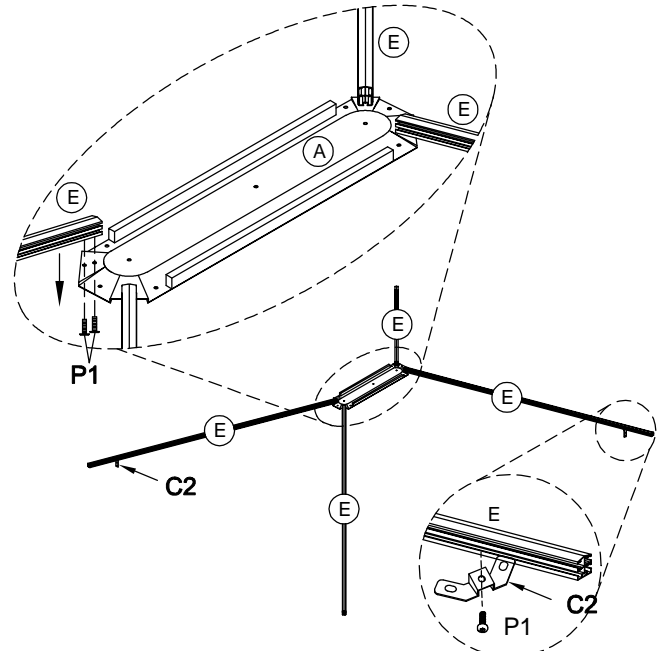
7

15  
P1×16PCS



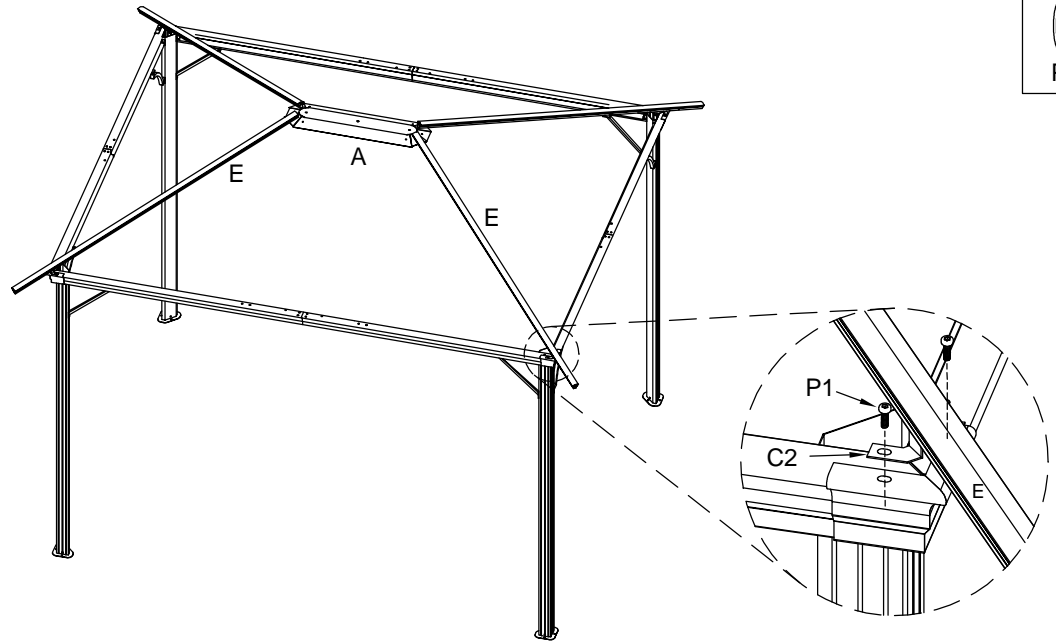
8

15  
P1×12PCS

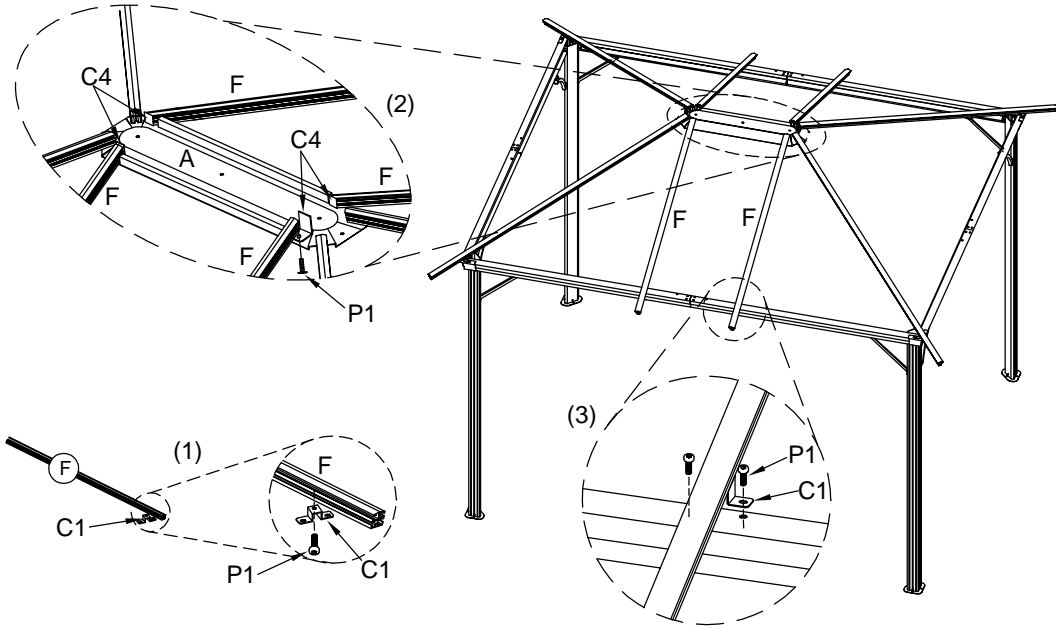


9

15  
P1×8PCS

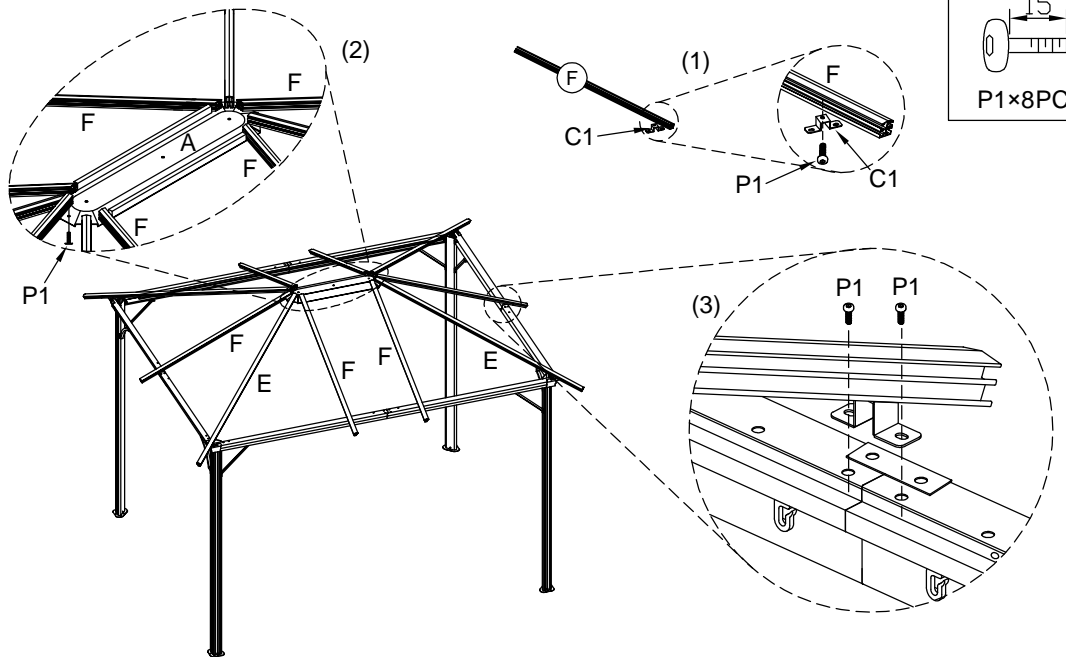


10



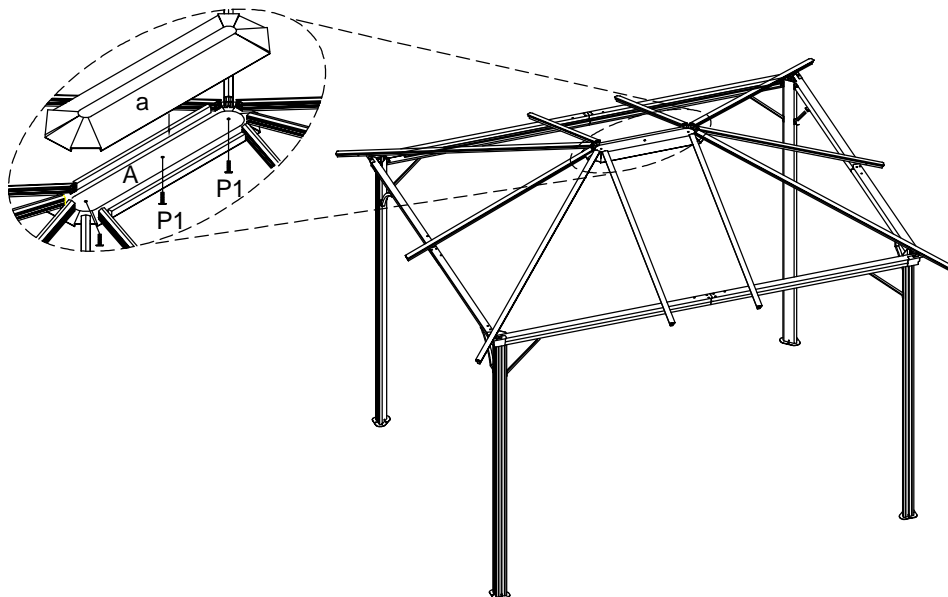
P1×16PCS

11



P1×8PCS

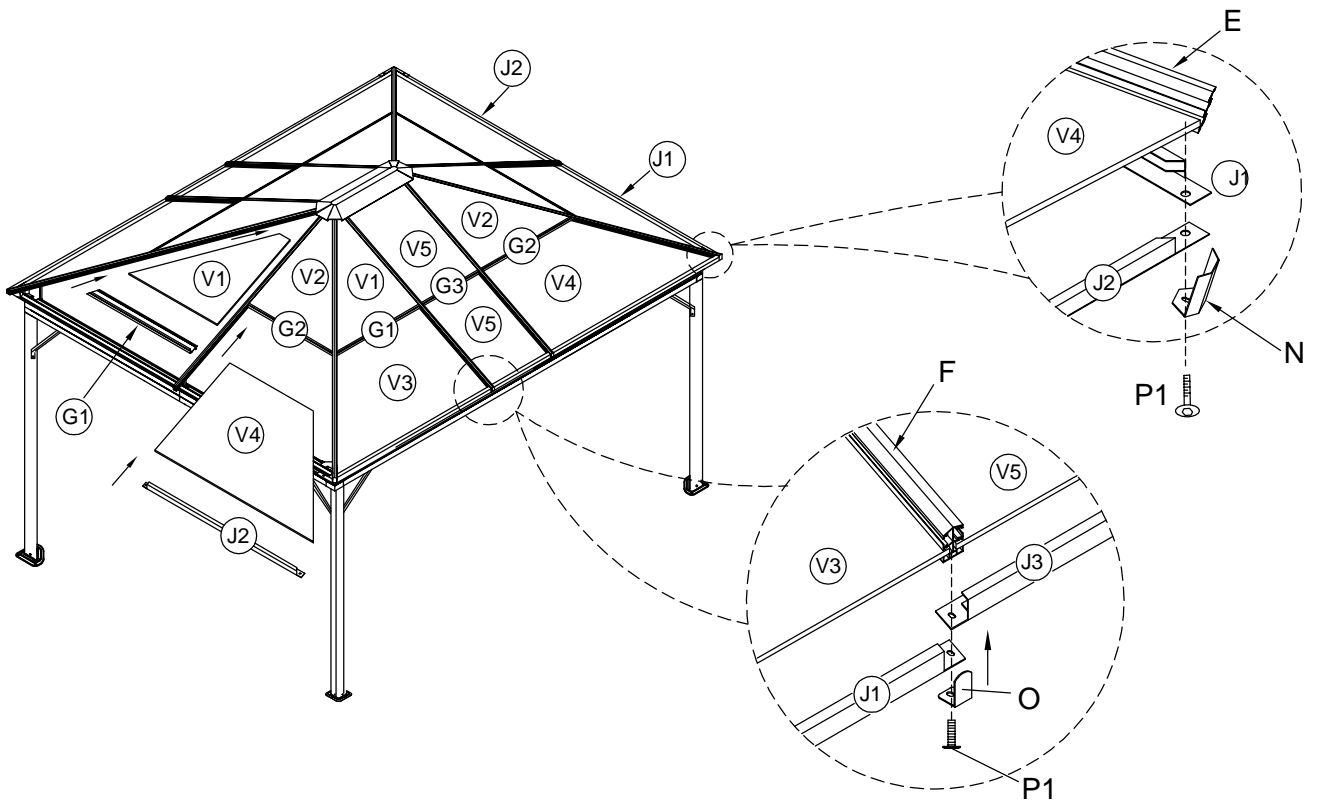
12



P1×3PCS

13

15  
P1×10PCS



14

