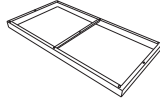
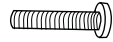
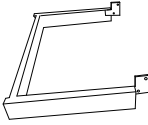




ASSEMBLY INSTRUCTION

PARTS LIST							
A	TABLE TOP		1	D	BOLT (M6x20 mm)		8
B	TABLE LEG		2	E	METAL WASHER		8
C	ALLEN WRENCH		1				

