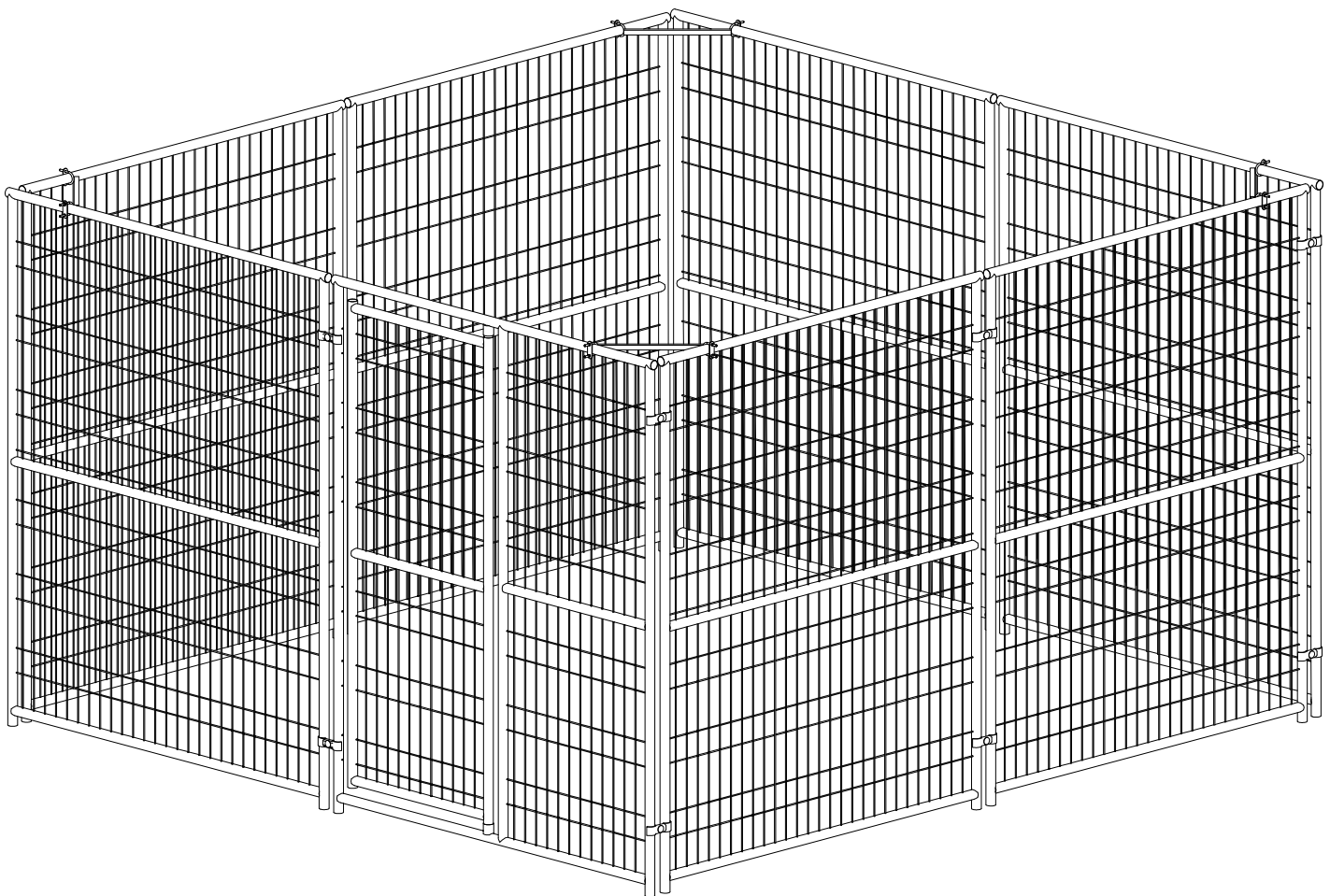


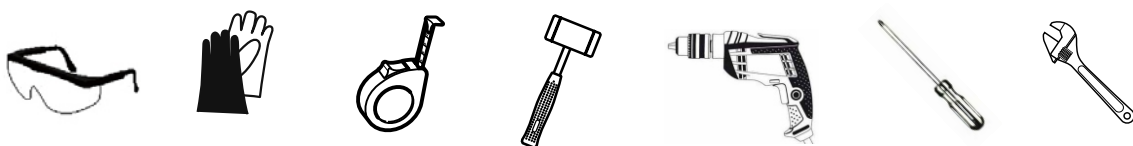
# DOG KENNEL INSTRUCTION MANUAL

Model NO.:105-1010N

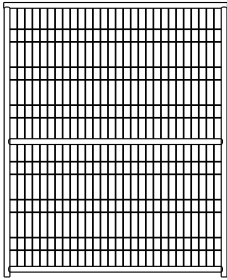
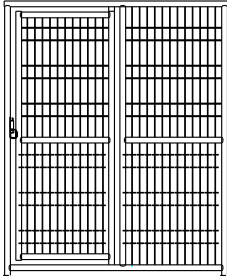

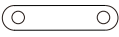


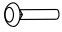
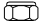
10' x 10' x 6' (3 x 3 x 1.8 m)



**Tools required for assembly (not included)**



**PARTS LIST**

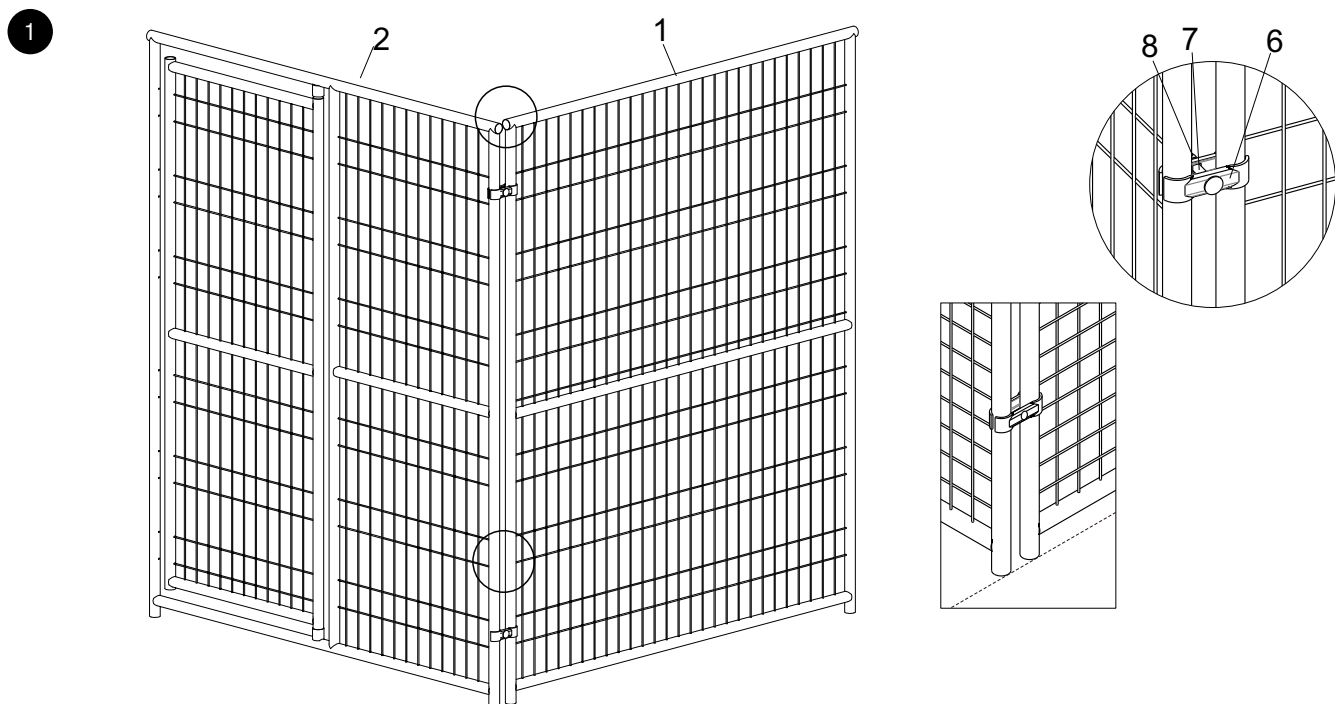
Part#	Description	Drawing	Qty.
1	Standard panel		7
2	Door panel		1
3	Corner Reinforce Tube		4
4	Connect Plate		8
5	M6		16
6	32-32		32
7	M10x50		16
8	M10		16

**ASSEMBLY**

- Please select a flat and level location to position and assemble the dog house.

**Step 1**

- Connect the standard panel (1) with door panel (2) using clamps (6). Secure with bolts (7) and nuts (8).

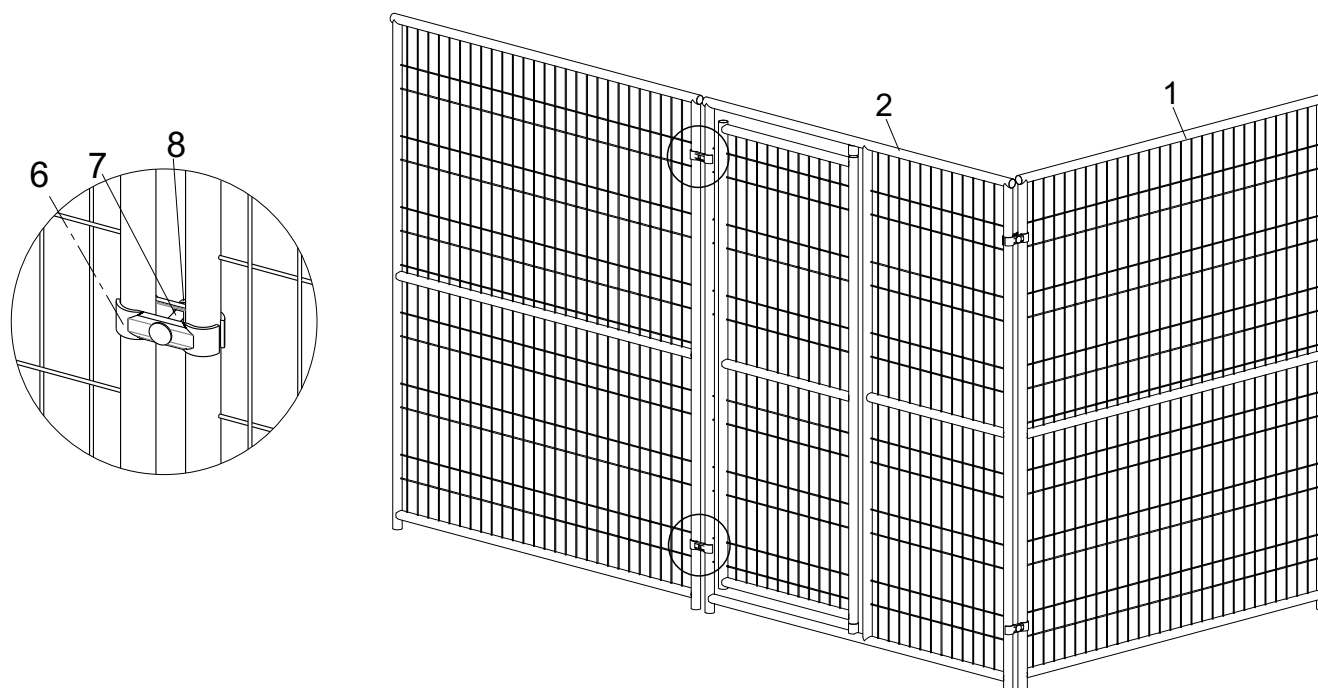


## ASSEMBLY

### Step 2

- Follow below diagram, continue to connect the next standard panel (1) with door panel (2) using clamps (6). Secure with bolts (7) and nuts (8).

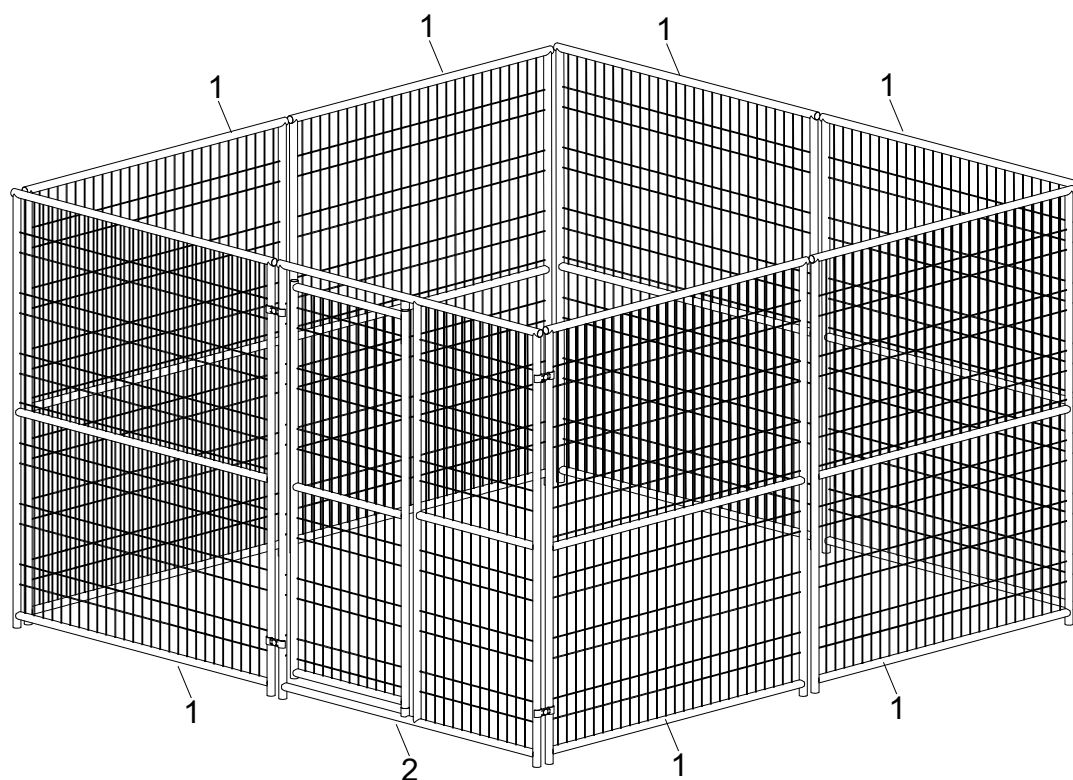
2



### Step 3

- Repeat steps 1 and 2 to assemble the remaining panels.

3



**Step 4**

- Reinforce the kennel with Corner Reinforce Tubes (3) , Connect Plates (4) and nuts(5) as shown in below diagram.

4

