










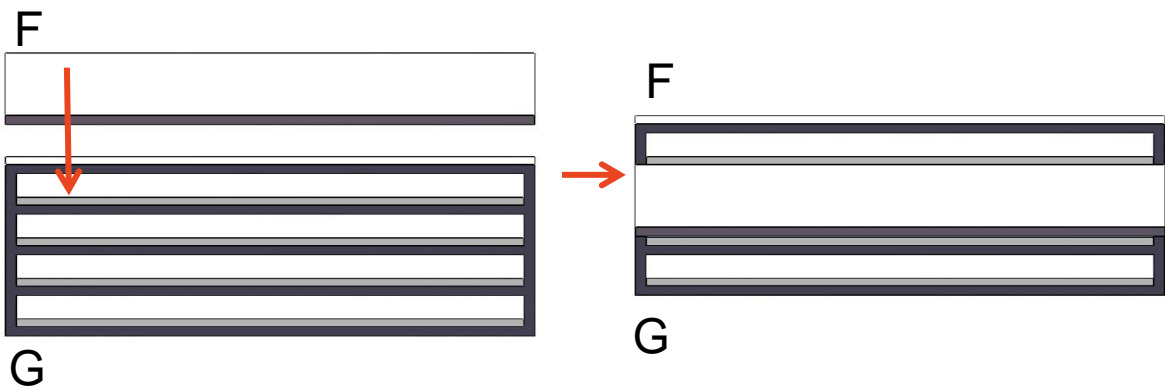
PARTS LIST

A	screw 1		3 PCs
B	screw 2		8 PCs
C	screw 3		10 PCs
D	screw 4		6 PCs
E	screwdriver		1 PCs

NO.	PARTS	QTY	NO.	PARTS	QTY	NO.	PARTS	QTY
A		1PCS	E		4PCS	I		1PCS
B		1PCS	F		1PCS			
C		1PCS	G		1PCS			
D		1PCS	H		3PCS			

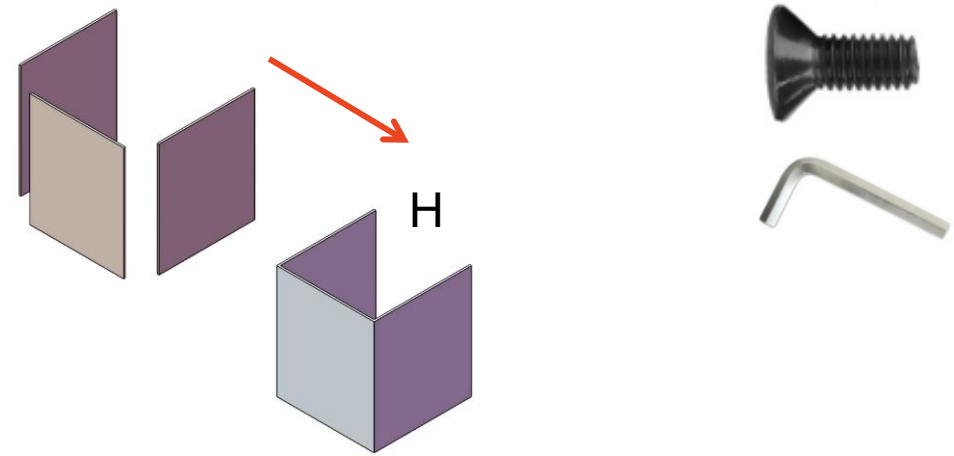
1

Flexible assemble.



Fasten "F" part to "G" part's second layer

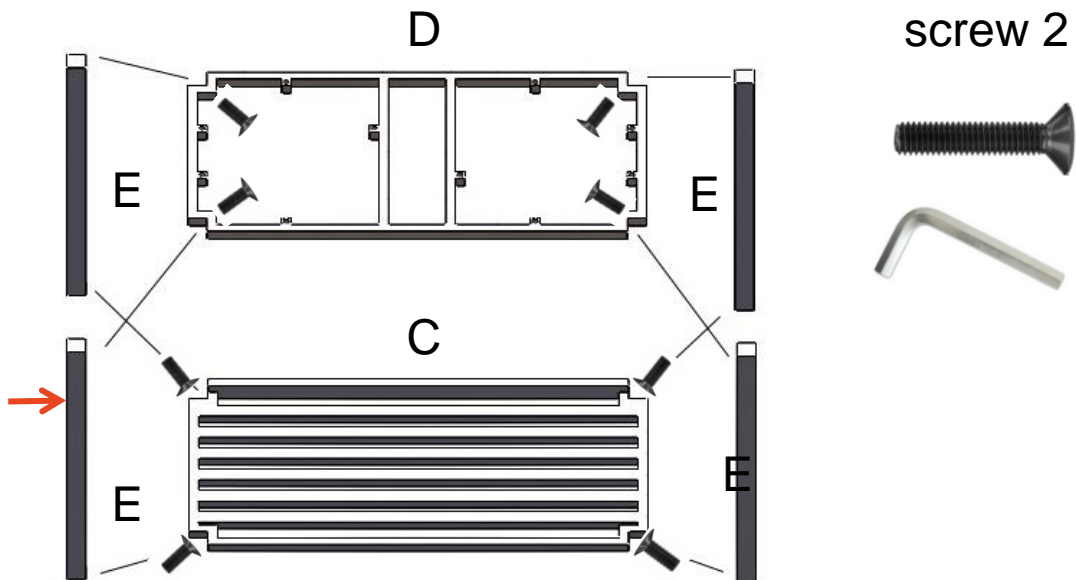
2



Screw "3" connects "H" part together

3

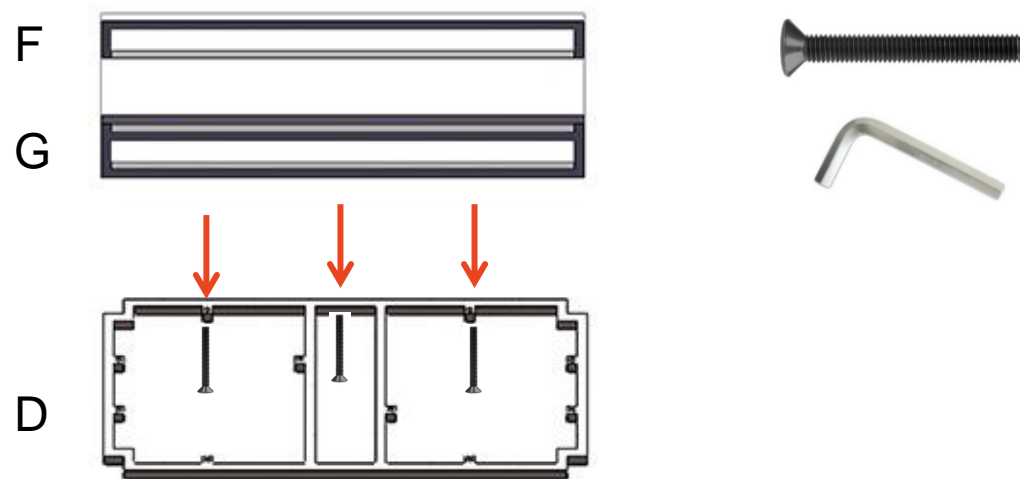
screw 2



Screw 2 connect "E" part to "D" part, install "D" part first, then install "C" part

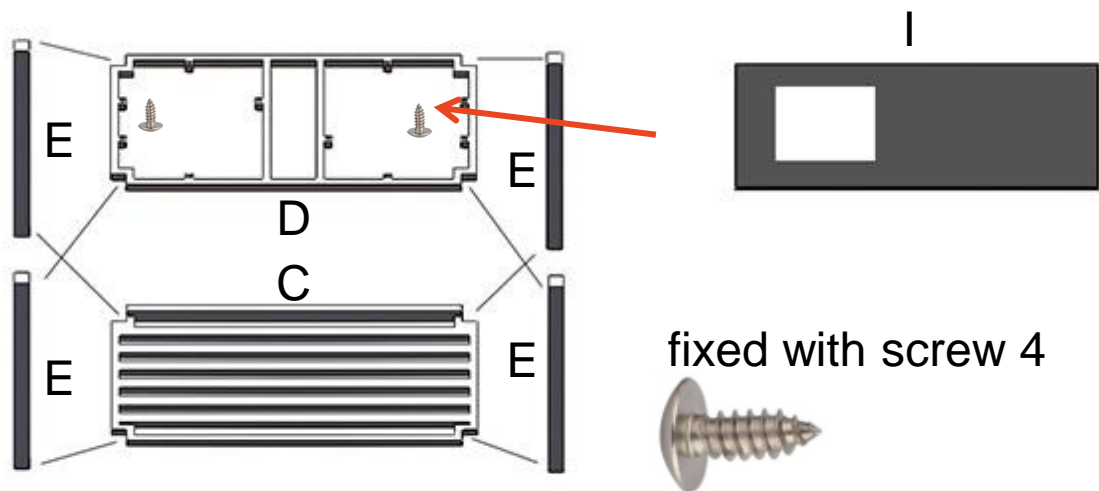
4

screw 1



Installed Figure 1# is fixed on "D" part with screw 1

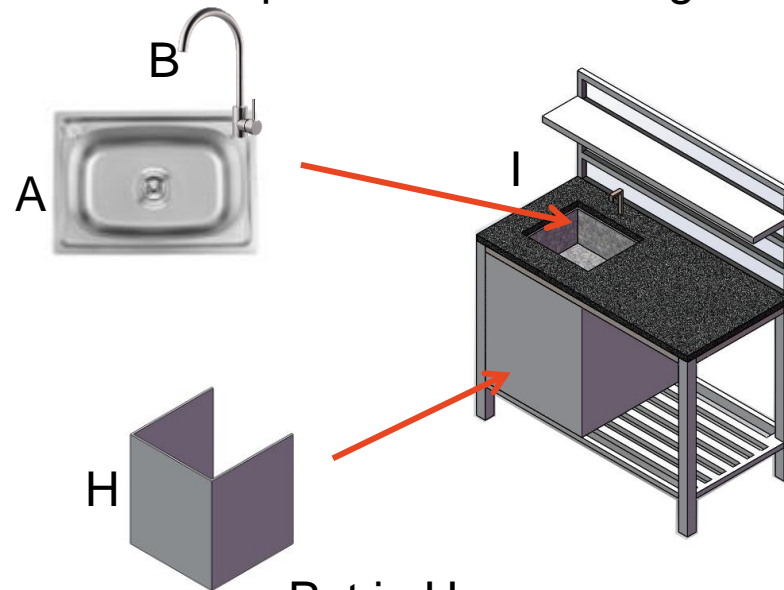
5



Put "I" on "D" and fix it with screw 4

6

Fix "A" and "B" and put them in "I" with glue



Put in H