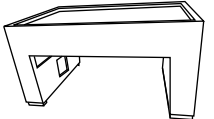

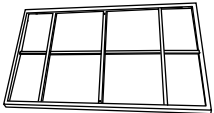





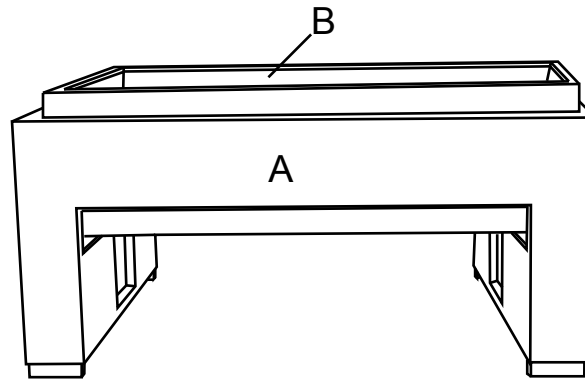


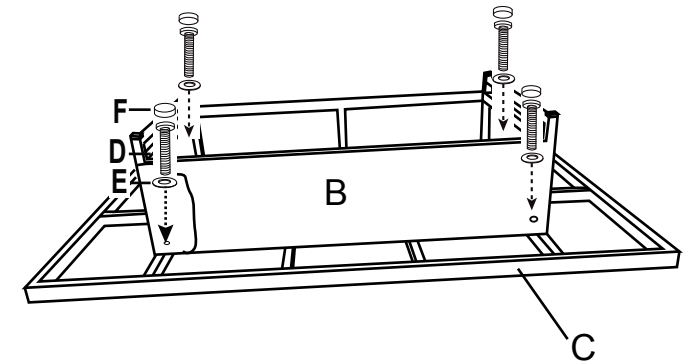
ASSEMBLY INSTRUCTION

PARTS LIST

NO	PIC	DES	QTY
A		BOTTOM FRAME	1
B		SUPPORT FRAME	1
C		TABLE TOP	1
D		BOLT (M6*35L)	4
E		WASHER	4
F		PLASTIC BOLT CAP	4
G		ALLEN WRENCH	1
H		GLASS	1



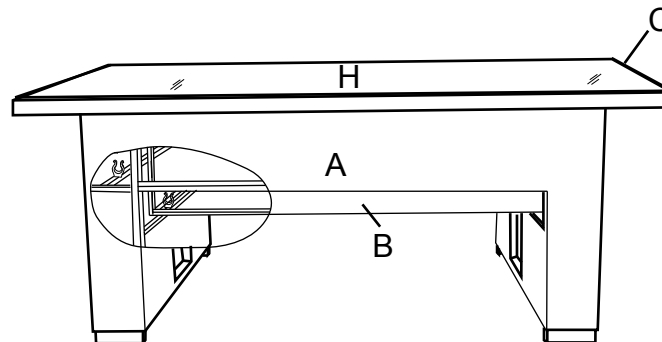
Put the foot upon the opening on both end ① of A, then pull up B from A.



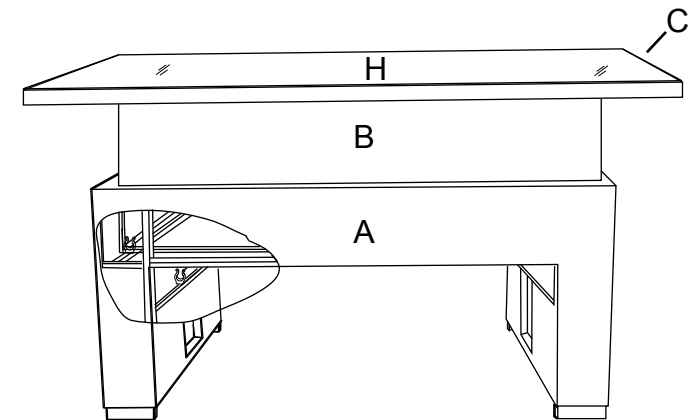
②

③

④



Put both sides of the bottom of B on the point of 'U' clips that at the bottom of A



Put both sides of the bottom of B on the point of 'U' clips that at the top of A