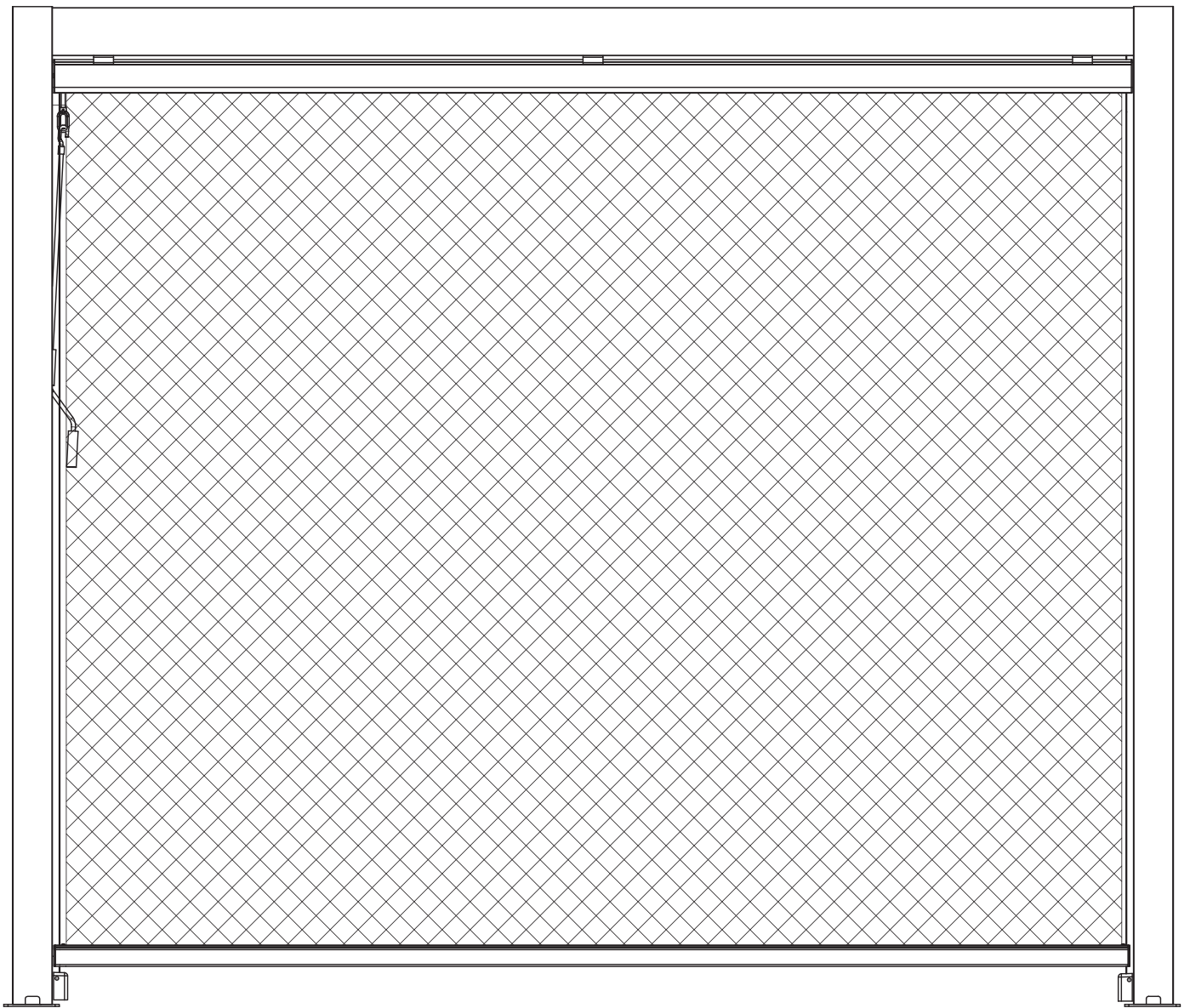

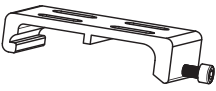
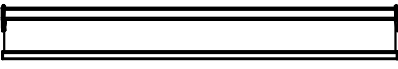









Manual Instruction for Side Screen

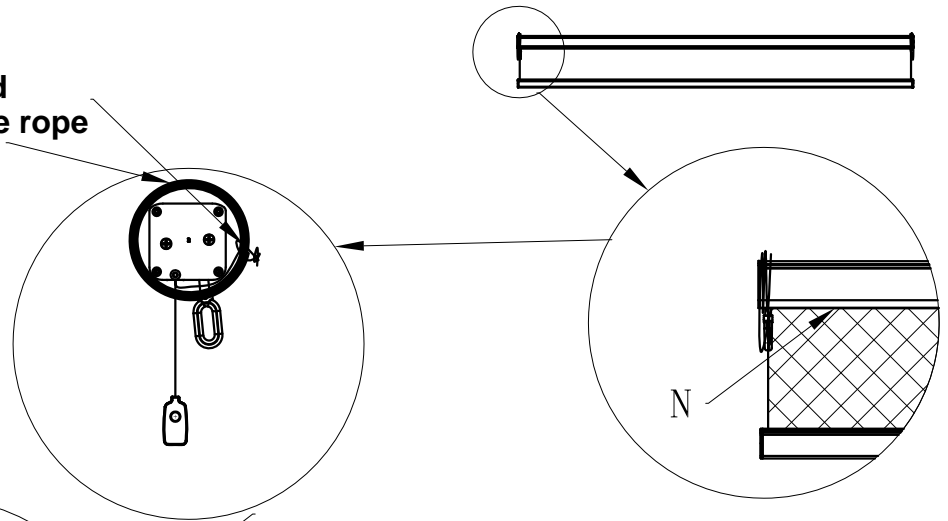
Matching 8610 Pergola



Spare Parts List

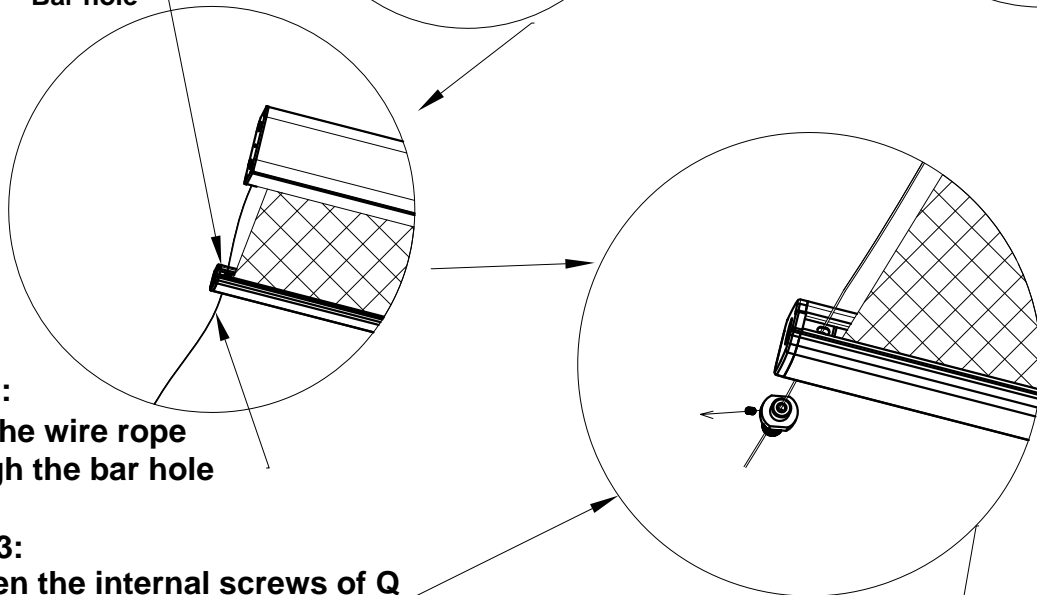
Label No.	Description	Drawing	QTY
L	The handle crank		1
M	The bracket		3
N	The main frame		1
O	The adjustable holder for wire rope		2
P	The cover for adjustable holder		2
Q	The regulator for wire rope		2
R	The ring		1
K1	The cross head screw M4x20+M4 lock nut		1
K2	The cross head countersunk screw M4x13		4
K3	The self-drilling screws (Cross recessed large flat head) ST4.2x25		18

Step 1:
Open the tie and
take out the wire rope

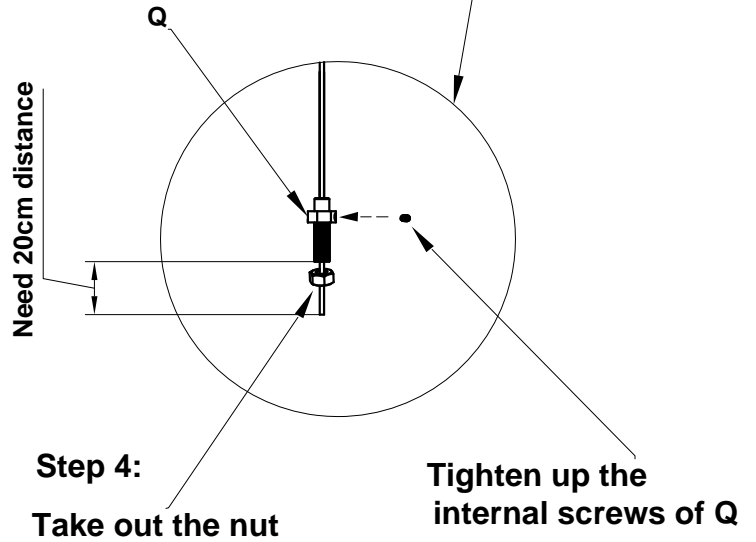
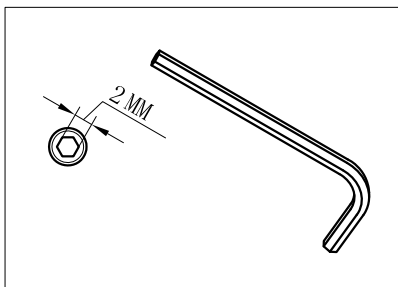


Bar hole

Step 2:
Pass the wire rope
through the bar hole



Step 3:
Loosen the internal screws of Q
Pass the wire rope
through the middle hole of Q



Q



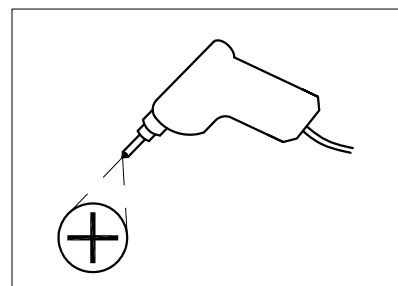
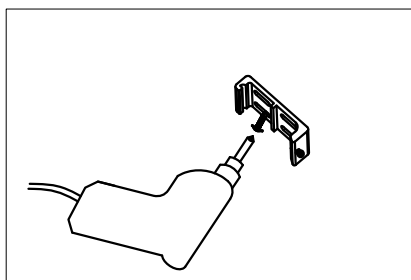
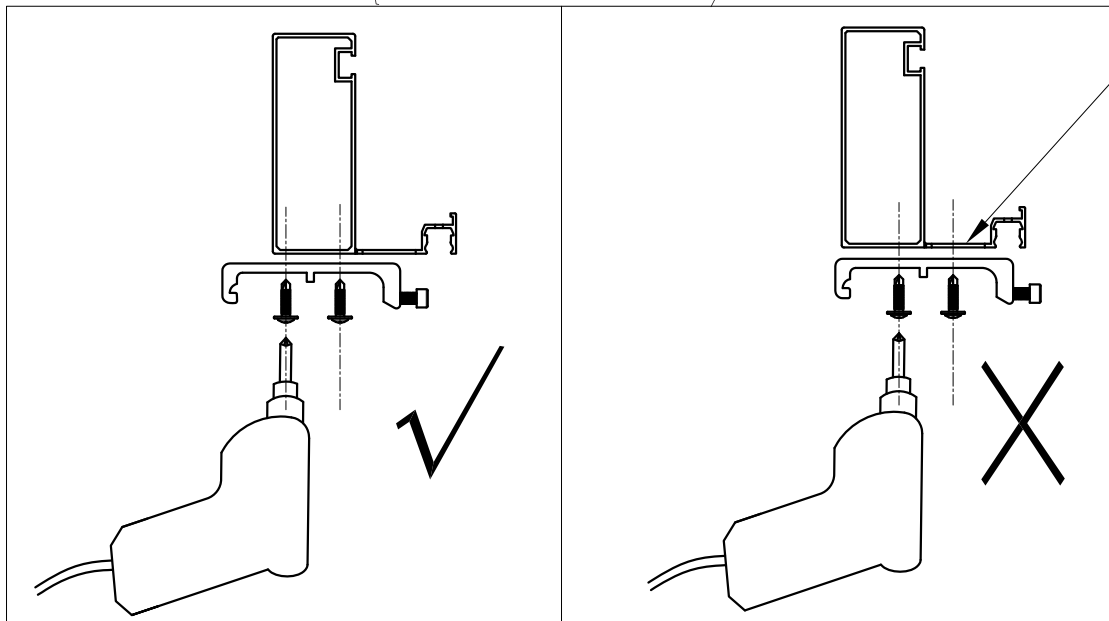
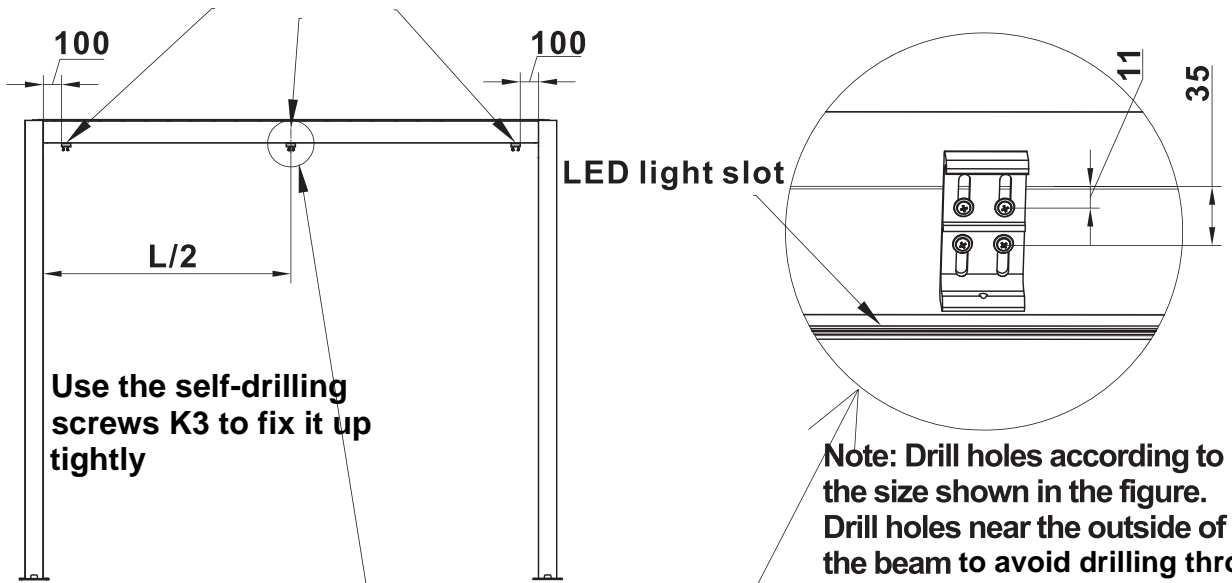
QTY:2PCS

N



QTY:1PCS

Fix the part M with the part K3 onto the beam



M

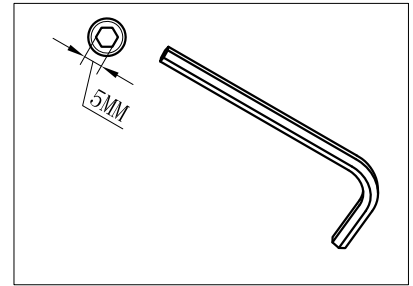
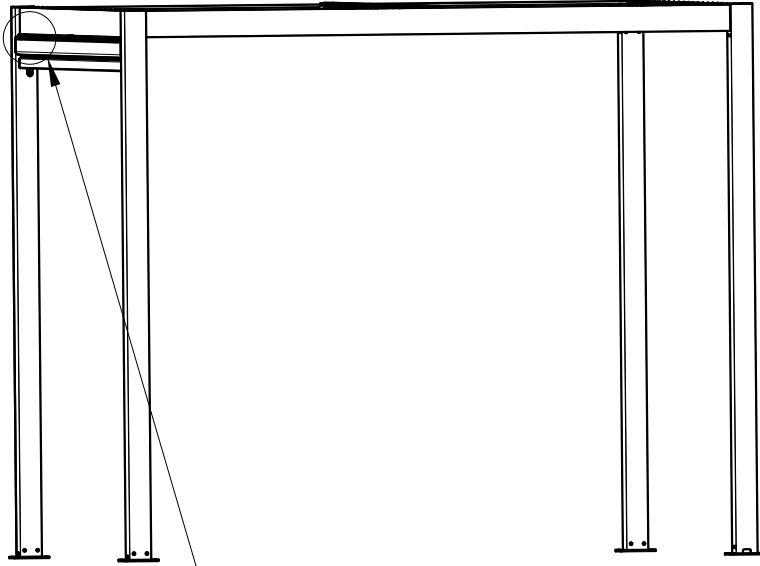


QTY: 3PCS

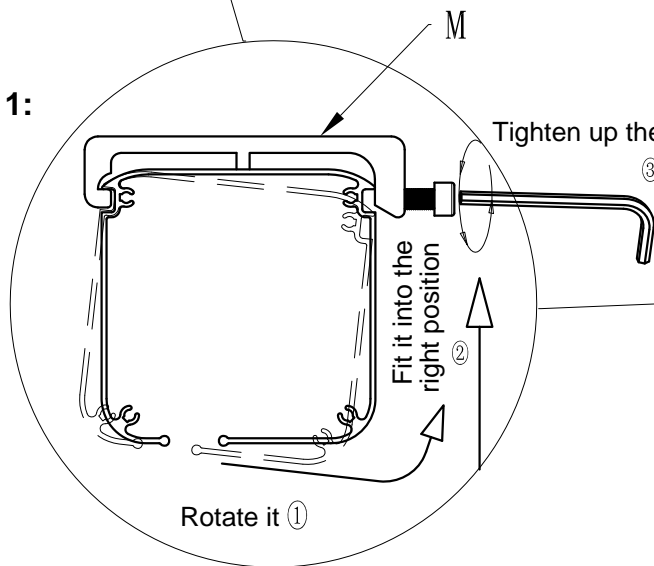
K3



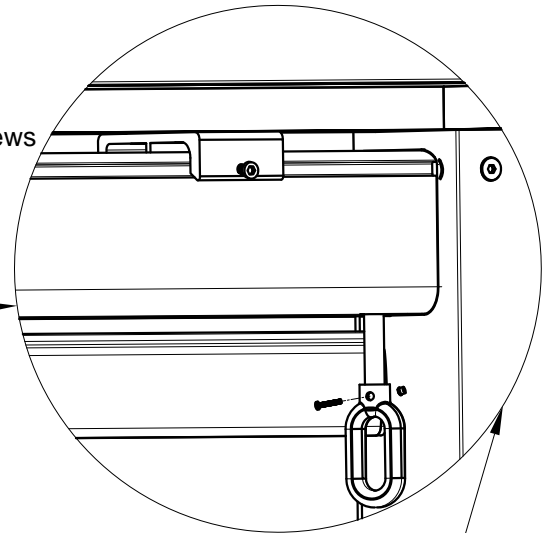
QTY: 12PCS



Step 1:

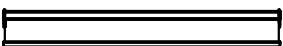





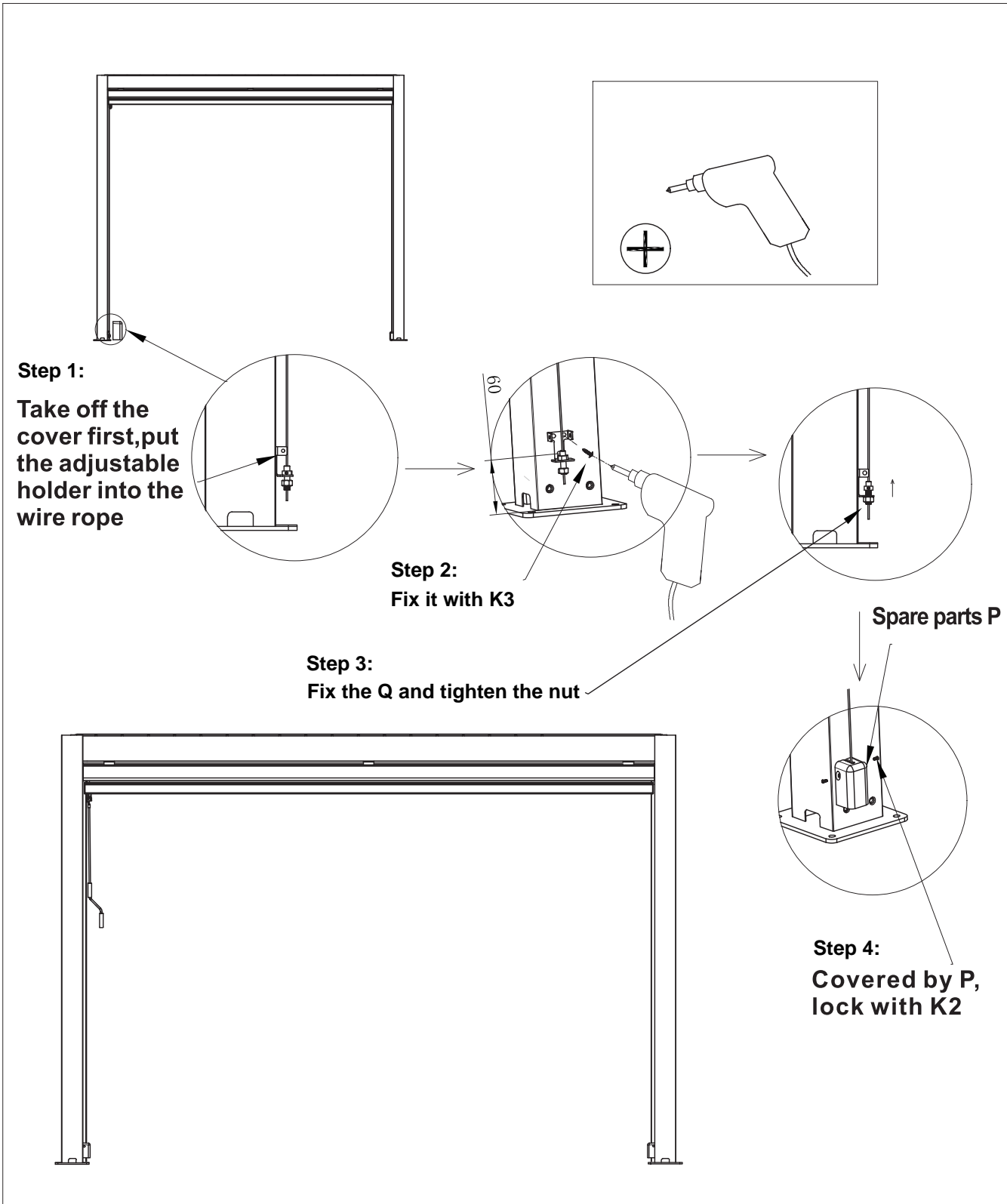
Tighten up the screws







Step 2:

Install the loop R and fix screw K1 after screen installed well.

N		QTY:1PC	K1		QTY:1PC
R		QTY:1PC	L		QTY:1PC



<p>O</p>  <p>QTY: 2PCS</p>	<p>P</p>  <p>QTY: 2PCS</p>
<p>K3</p>  <p>QTY: 6PCS</p>	<p>K2</p>  <p>QTY: 4PCS</p>