








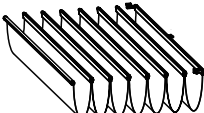

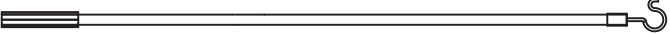


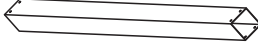




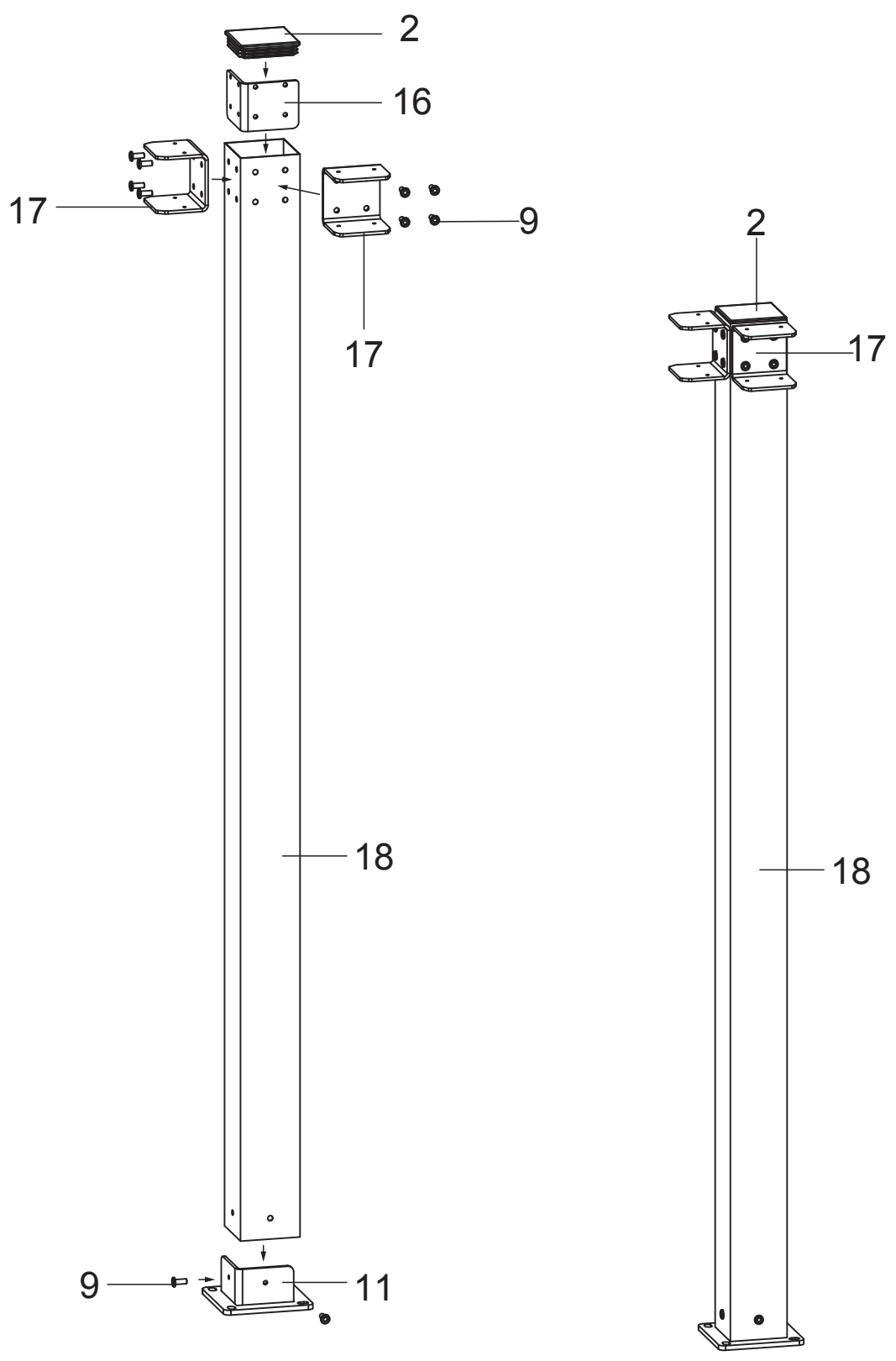

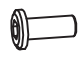

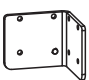


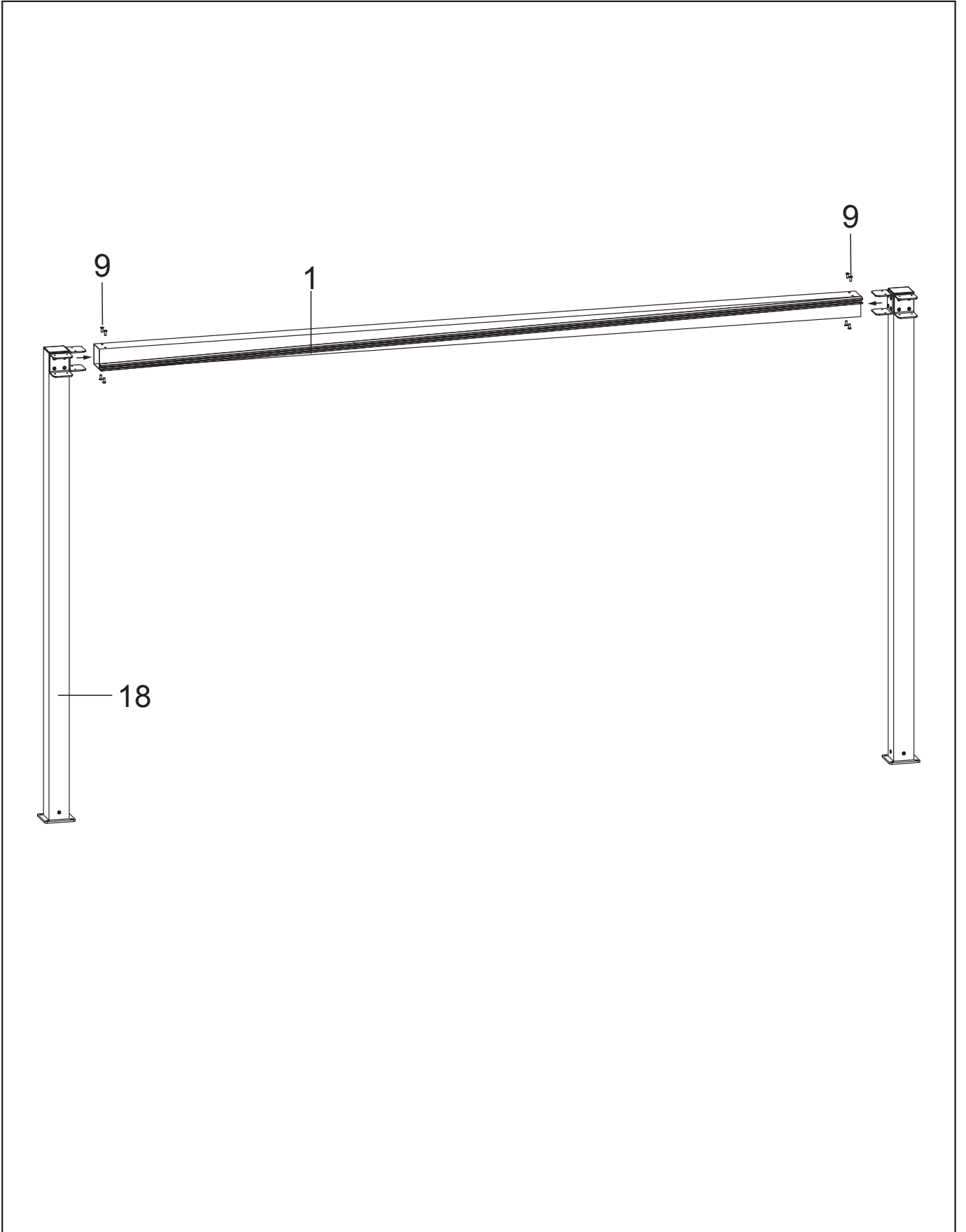


PARTS LIST

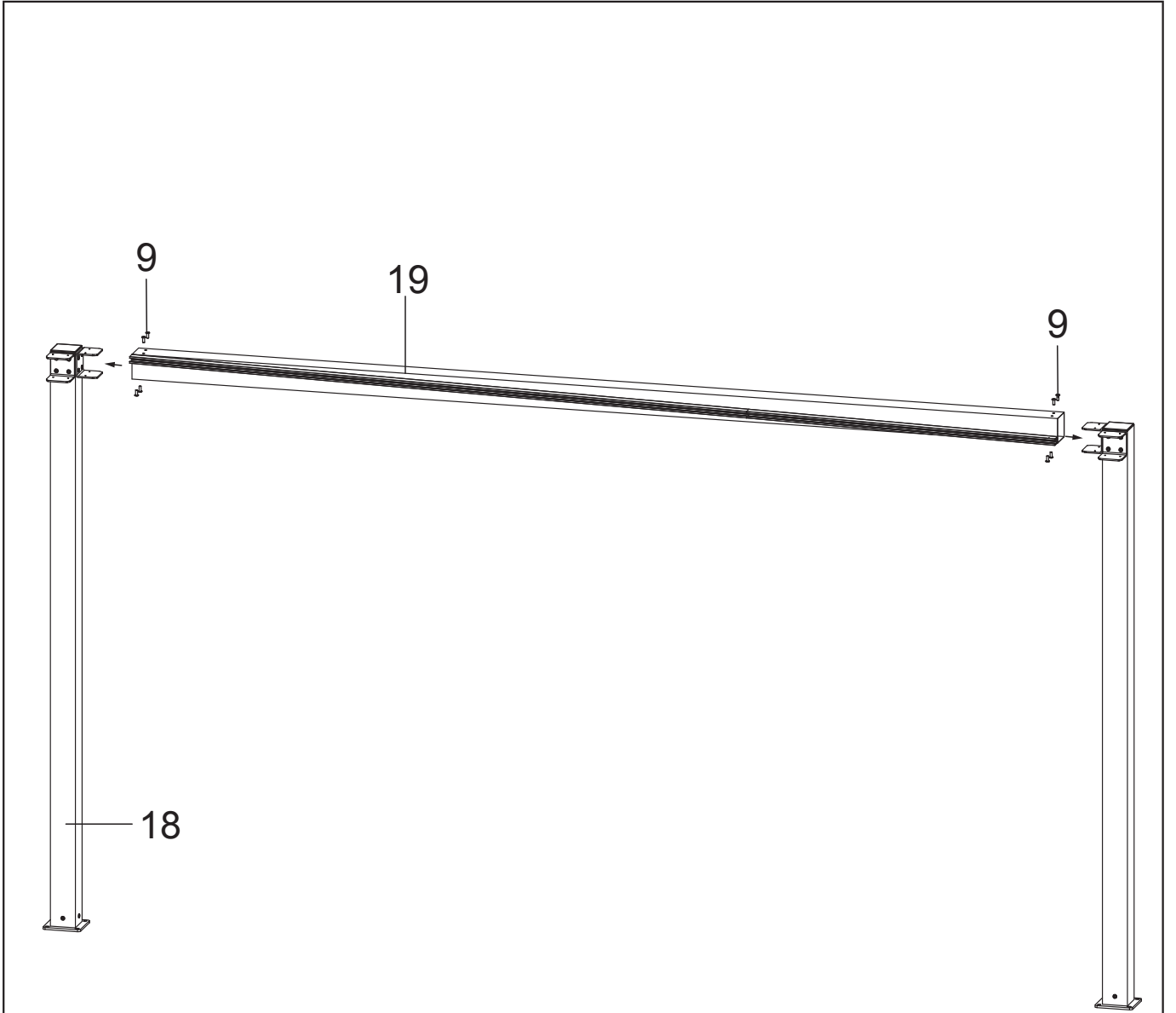
Part No.	Drawing	QTY
1		1
2		4
3		1
4		4
5		1
6		2
7		1
8		4
9		72
10		1
11		4
12		1
13		2
14		2
15		1
16		4
17		8
18		4
19		1

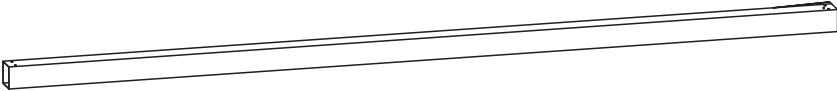
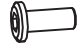


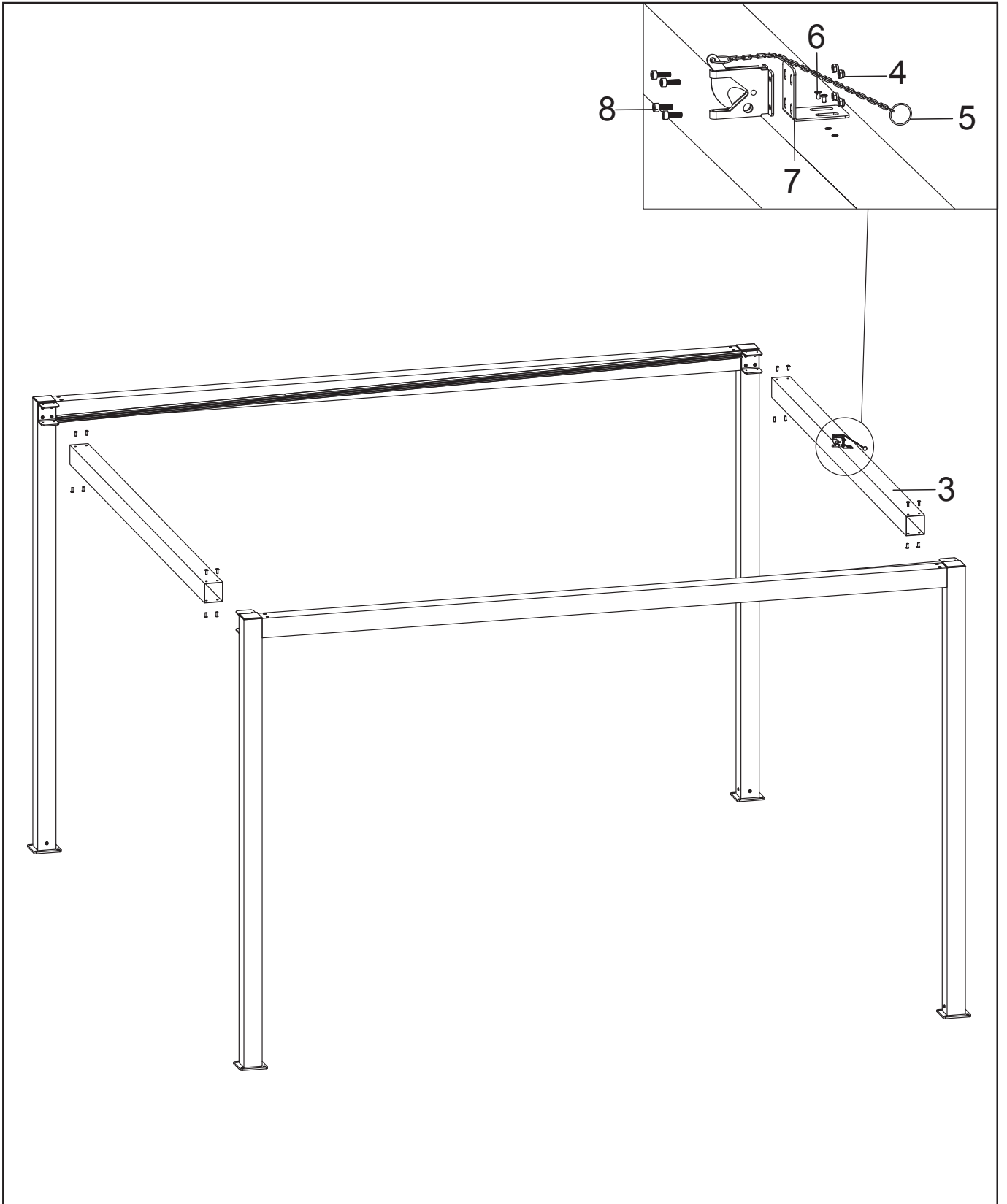
2		4PCS	9		40PCS	11		4PCS
16		4PCS	17		8PCS	18		4PCS









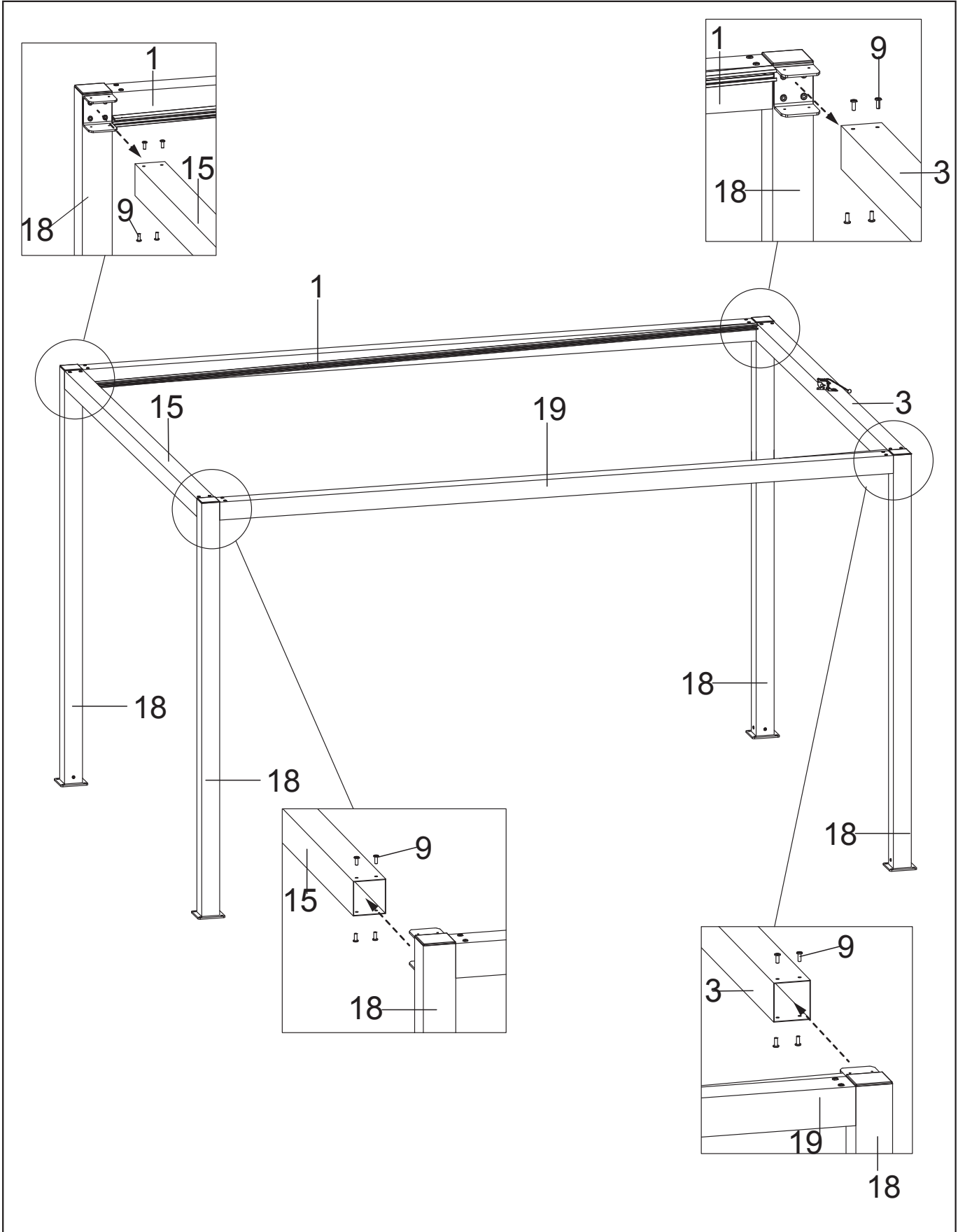
1  1PC	9  8PCS
---	--



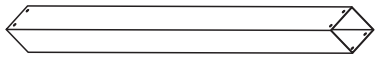
<p>19  1PC</p>	<p>9  8PCS</p>
--	---



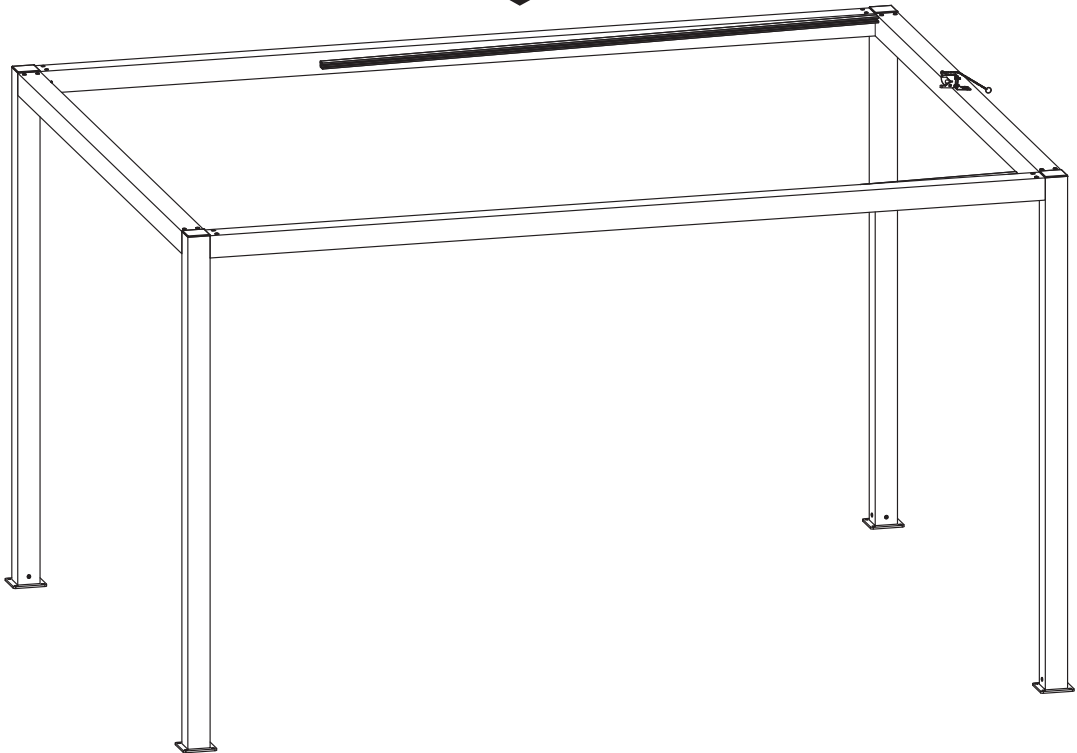
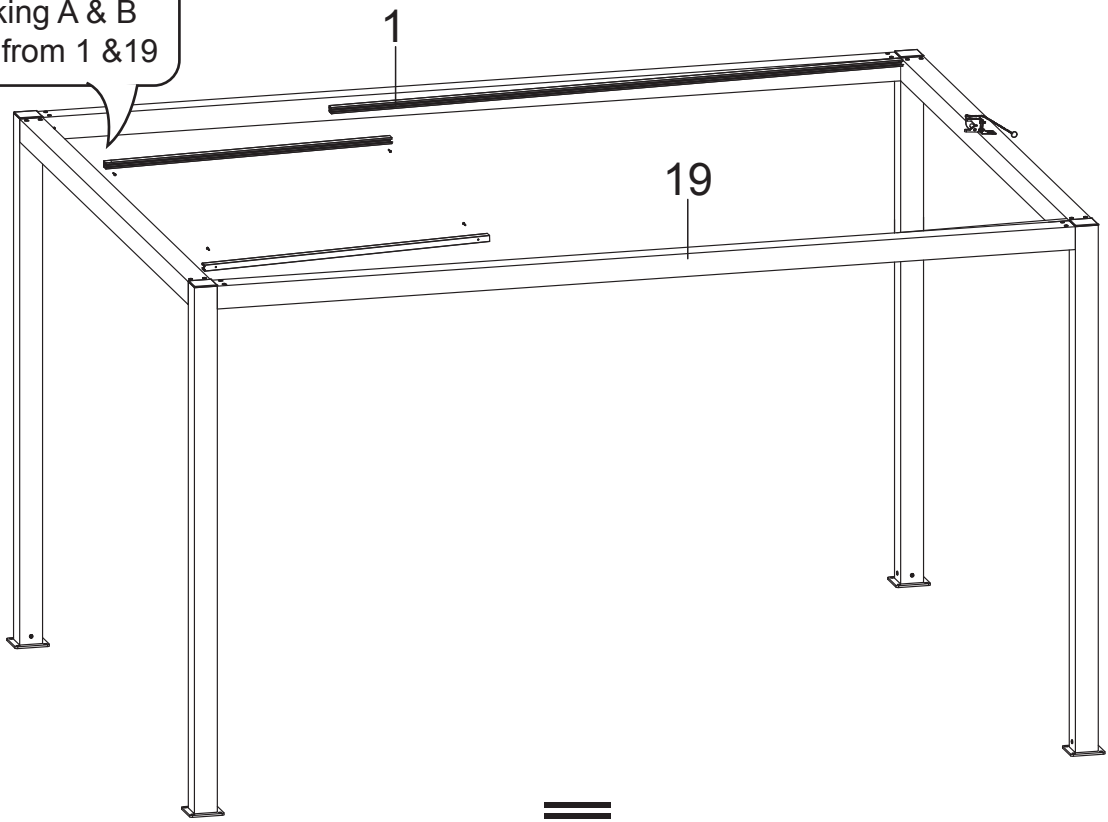
3  1PC	4  4PCS	5  1PC
6  2PCS	7  1PC	8  4PCS

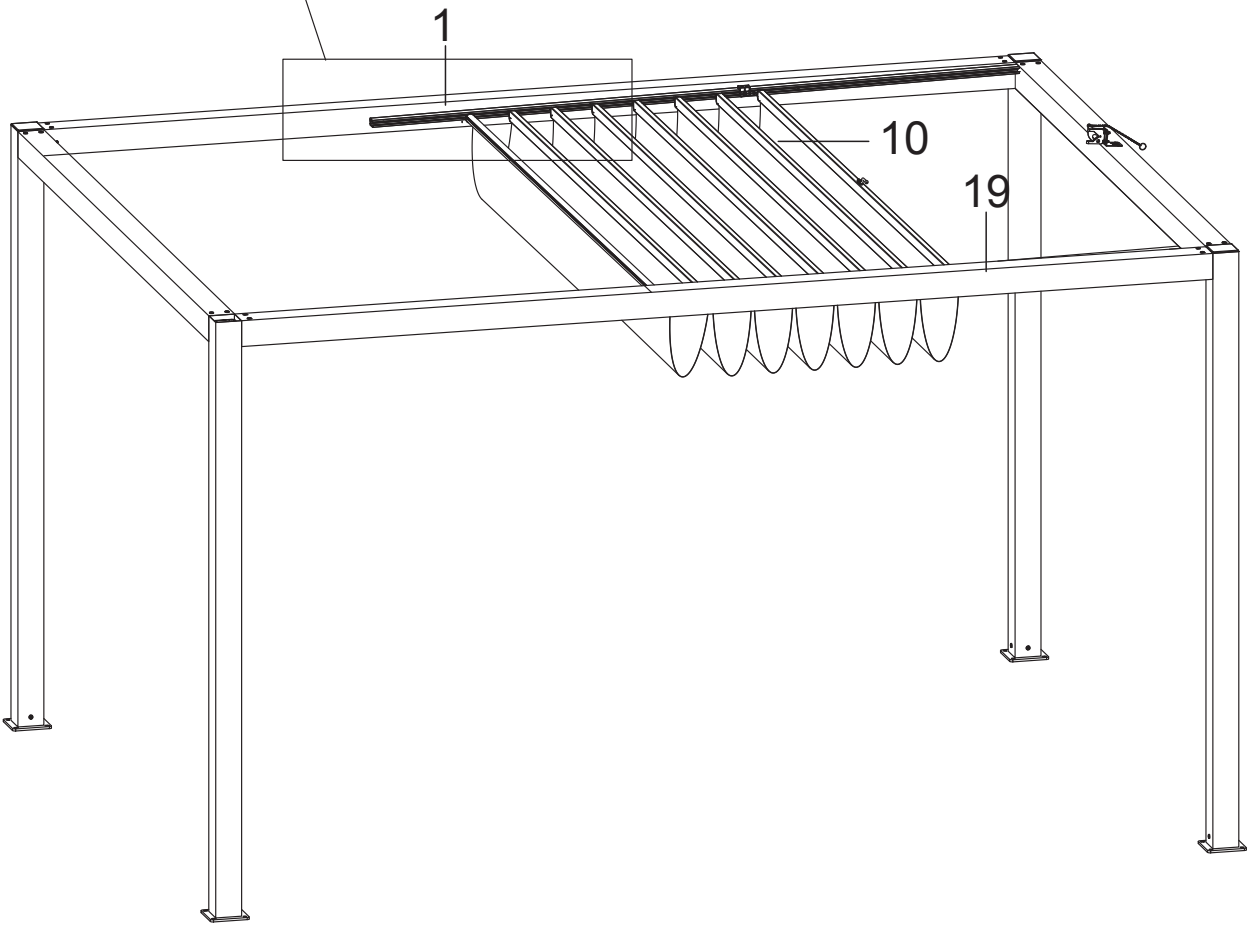
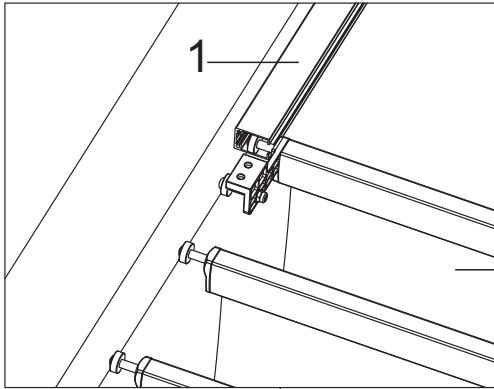


9  16PCS

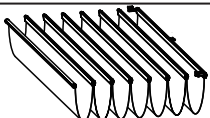
15  1PC

Taking A & B
off from 1 & 19



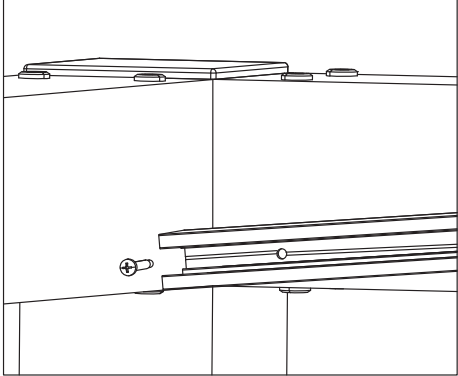
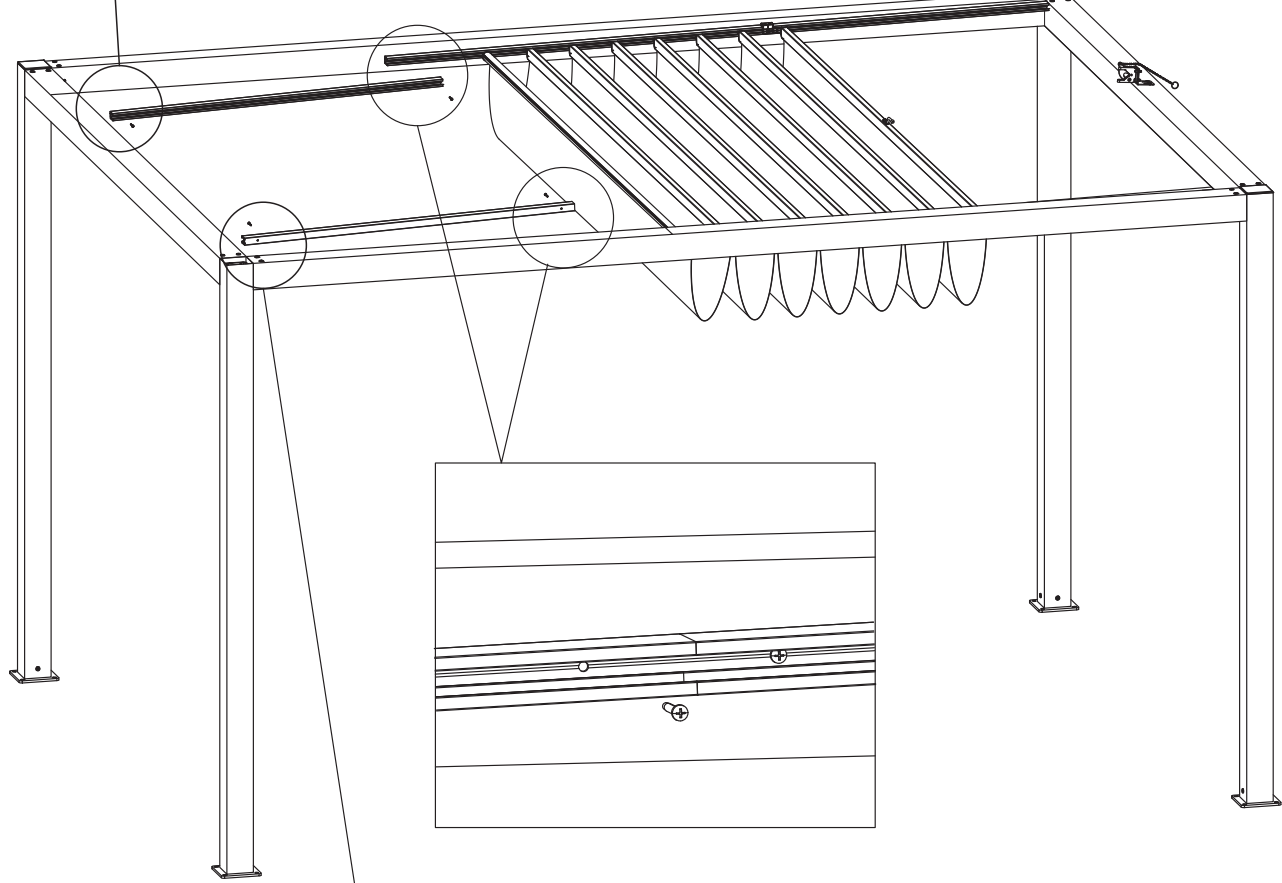
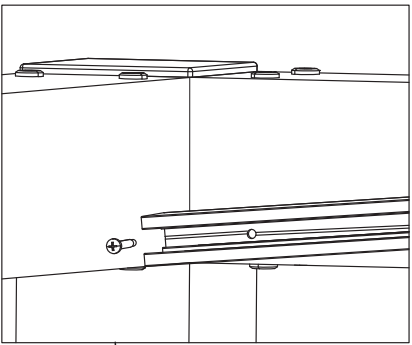


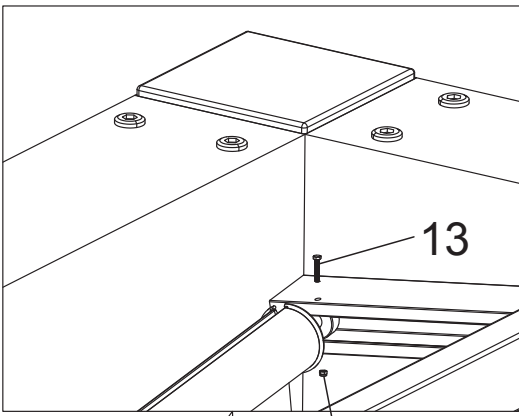
10



1PC

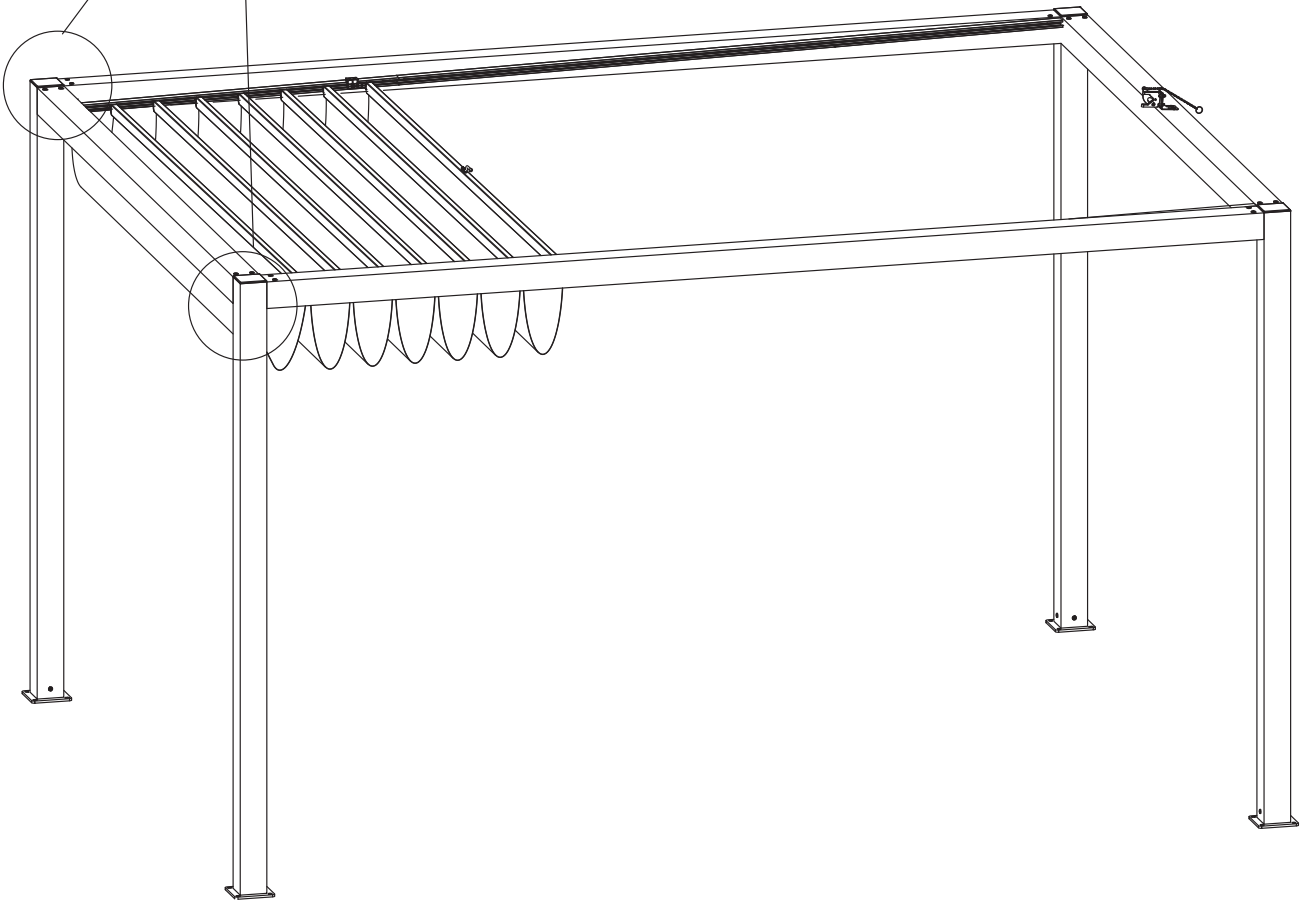
Put the A & B
on 1 & 19





13

14



13

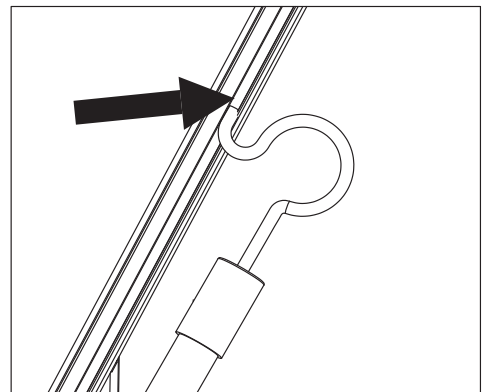
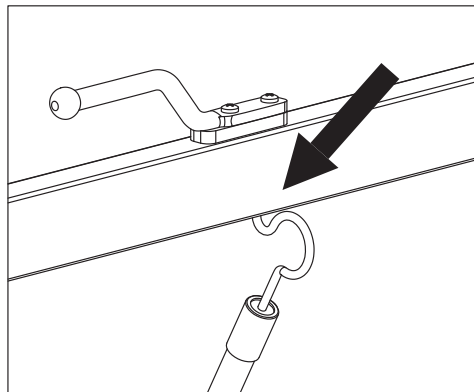
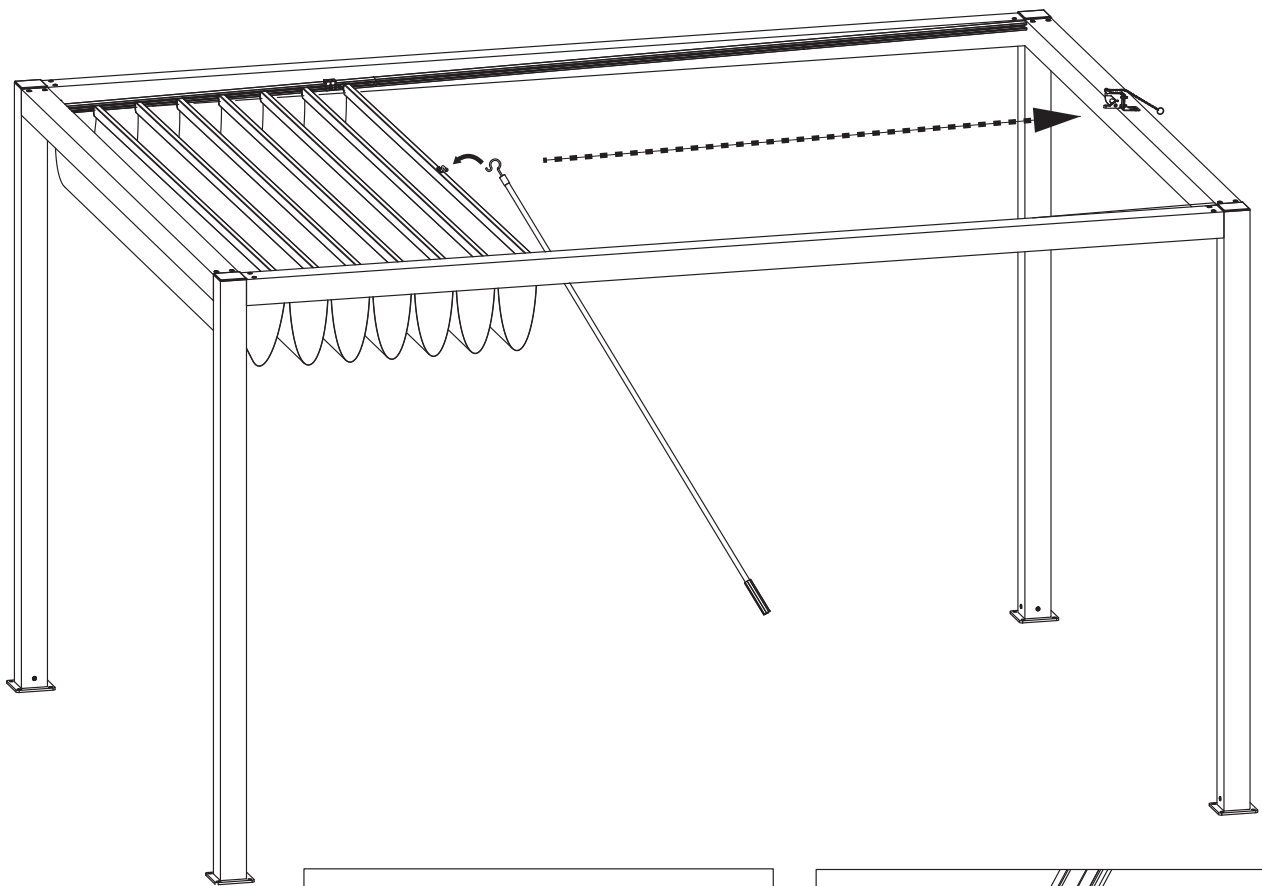


2PCS

14



2PCS



12



1PC

