

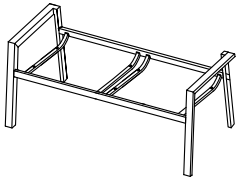



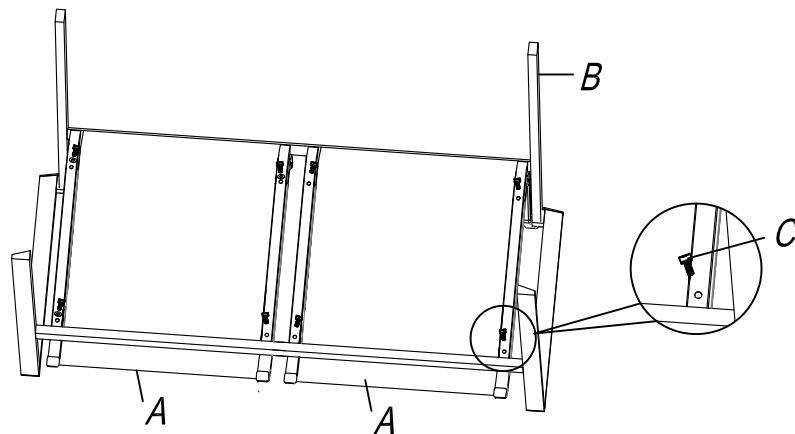
ASSEMBLY INSTRUCTION SHEET

DINING CHAIR

PARTS LIST

A	 SEAT	2	C	 BOLT (M6*25MM)	8
B	 CHAIR FRAME	1	D	 ALLEN WRENCH (M8)	1

Step 1



Step 2

