





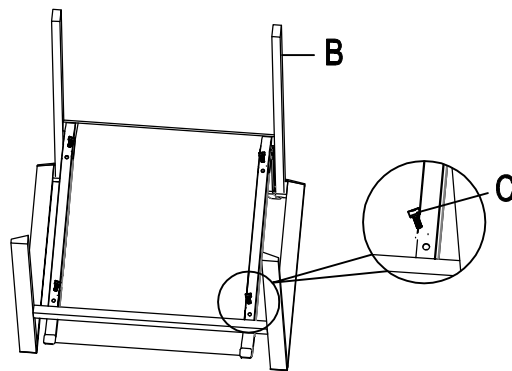
# ASSEMBLY INSTRUCTION SHEET

## DINING CHAIR

### PARTS LIST

A	SEAT 	1	C	BOLT (M6*25MM) 	4
B	CHAIR FRAME 	1	D	ALLEN WRENCH 	1

Step 1



Step 2

