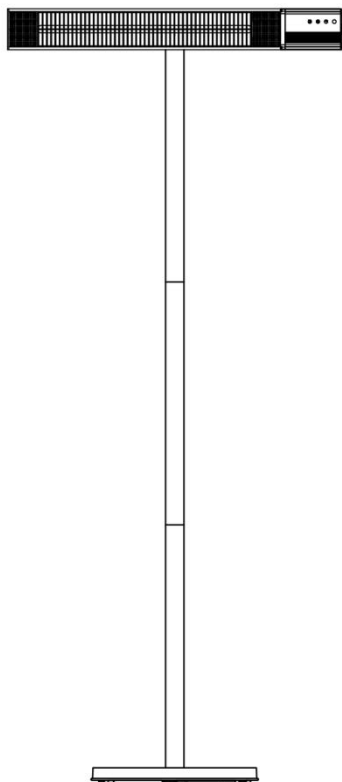


Instruction Manual

Electric Patio Heater

ZHQ2580IR-S



Please read these instructions carefully before using your new halogen heater

Unpack the heater making sure that all the items are present and that there are no components left in the box and that the heater head is free from any packing material.

Using the detailed drawing and follow the steps to assemble your heater.

Do not connect the heater to the electrical supply until all the assembly is complete.

Do not connect the heater to the electrical supply if any of the components or the power cord is damaged in any way.

If in doubt contact your supplier.

WARNING: This heater is not equipped with a device to control the room temperature. **Do not** use this heater in small rooms when they are occupied by persons not capable of leaving the room on their own, unless constant supervision is provided.

Children of less than 3 years should be kept away unless continuously supervised.

CAUTION — Some parts of this product can become very hot and cause burns. **P**articular attention has to be given where children

and vulnerable people are present.

Caution

Only use the heater on a firm solid horizontal area where all the feet on the base are in contact with the floor. (**S**hould the heater be tilted or fall over the auto cut off switch will activate)

1. Mount the heater outside or in a large open area and well away from any obstructions such as branches or where the heater is near any objects that can be affected by heat, such as furniture, curtains or other inflammable objects (minimum distance 1 meter).
2. Do not position immediately above or below an electrical socket.
3. The unit must be placed with the clearance of 180cm to the floor and 30cm to the ceiling.
4. The heater must be installed at least 1,8 m above the floor.
5. When the power supply cord is damaged, it must be replaced by authorized agent or other professional people to avoid danger.
6. This appliance is not intended for use by persons (including children) with reduced physical, sensory or mental capabilities, or lack of experience and knowledge, unless they have been given supervision or instruction concerning use of the appliance by a person responsible for their safety.
7. Children should be supervised to ensure that they do not play with the appliance.
8. Do not use it near bath tubs, wash areas or swimming pools.

9. Do not use it in unventilated areas
10. Do not use where gas, petrol, paint or other inflammable goods are stored.
11. Do not move when connected to an electrical supply and always wait until the patio heater cool down before storing away.
12. Do not touch the heater head when in use.
13. Do not leave after turn it on and unattended especially when children or animals are in the vicinity.
14. The indication of different positions of switches should be visible from a distance of 1m at least.
15. The marking concerning covering shall be visible after the heater has been installed. It shall not be placed on the back of heaters.
16. The heater must be correctly installed according to the instructions.
17. The heater must be securely placed on a horizontal and flat wall surface.
18. The heater will be at high temperature when in use. It keeps hot for a period after shut down. Potential danger would occur when you touch it during this period.
19. Don't place the heater closed to curtain or other flammable objects. Otherwise there will be a danger of catching fire.
20. Don't cover the heater with anything when in use or a short time after it is shut down.
21. Don't wrap the power supply cord on the heater.
22. The heater must be handled with care, and avoid vibration or hitting.
23. The heater must be securely grounded when in use.
24. If the heater gets damaged, it must be repaired by

professional electricians.

25. When assembling, keep away from any board or flammable material.
26. The heater must be supervised by adults when it is used by a child.
27. It is not safe to install the heater near a swimming pool, in a bathroom or shower area.
28. The heater is for household use only. It is not safe to use on a building site, greenhouse, barn or stable where there's flammable dust.
29. The heater is at high temperature when in use. Unplug the heater and wait until it cools down before cleaning.
30. Don't use this heater in place where causticity or volatile air exists, such as dust, steam, gas, etc.
31. Don't use this heater as a cloth drier or towel drier.
32. Don't use this heater as a sauna heater.
33. Don't use this heater in place of animal propagating and raising.
34. The heater should be plugged in a socket, which is easily visible and reachable.
35. Do not use this heater in the immediate surroundings of a bath, a shower or a swimming pool.
36. Do not use this heater with a programmer, timer, separate remote-control system or any other device that switches the heater on automatically, since a fire risk exist if the heater is covered or positioned incorrectly.
37. Place the heater outside or in a large open area and well away from any obstructions such as branches or where the heater is close to any objects that can be affected by heat, such as furniture, curtains or other inflammable objects

(minimum distance 1 meter).

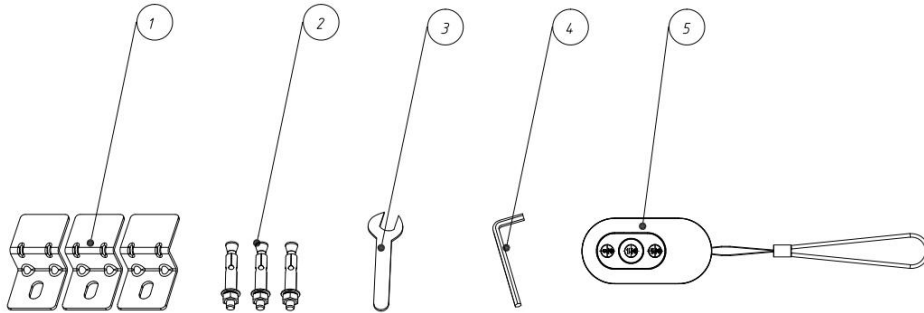
38. The instruction manual shall provide adequate instructions for connection to the supply ensuring an equivalent protection!
 39. If the supply cord is damaged, it must be replaced by the manufacturer, its service agent or similarly qualified persons in order to avoid a hazard.
 40. The heater shall not be located in front of a socket-outlet.
- This appliance can be used by children aged from 8 years and above and persons with reduced physical, sensory or mental capabilities or lack of experience and knowledge if they have been given supervision or instruction concerning use of the appliance in a safe way and understand the hazards involved. Children shall not play with the appliance. Cleaning and user maintenance shall not be made by children without supervision.

Warning

- **T**hese appliances must be earthed.
- **B**efore installing or replacing the bulb, the appliance must be always being disconnected from the 220-240V supply.

Accessories

Ref.	Name	Qty
1	Fixed plate	3
2	Explosive bolt M6*50	3
3	M6 spanner	1
4	'L' hexagonal wrench	1
5	Remote control	1



Installation

Patio Heater ZHQ2580IR-S is built with the best quality components in accordance to the prevailing legal regulations and certified for safety in use. For best results from the appliance please ensure that the installation is done by a qualified electrician in accordance with the following instructions and taking full account of current regulations. When using the heater, please carefully follow the instructions and recommendations below.

Connection to 220-240 Volts Power Supply

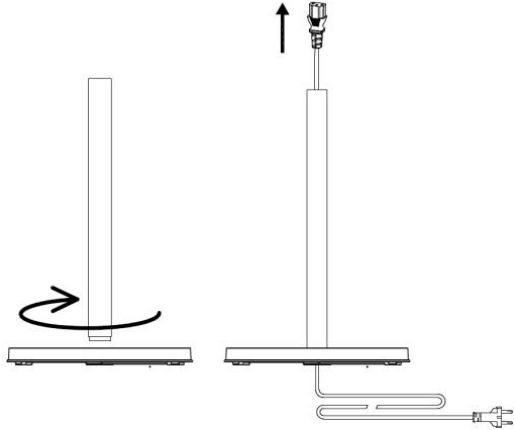
- It is important to ensure that the electricity supply is of adequate capacity for the electrical load required by the appliance being installed.
- Installation.

Minimum required distances:

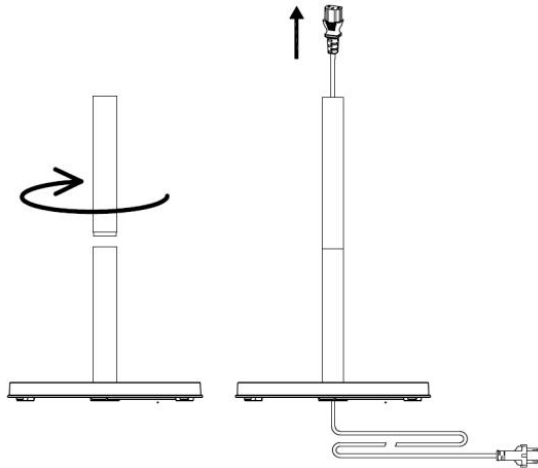
1. 500mm from the side wall
2. 500 mm from the ceiling
3. Generally heaters must be placed at a safe distance (clear space) of at least 2.0m from combustible materials and glass walls. If installed in workshops or garages where inflammable or combustible paints are used, the heaters must be installed at a distance of at least 4.0m from the source of danger.
4. If the heaters are placed in areas where spray painting of any description is taking place, they should not be used during the painting operations.
5. Never use the heater in particularly dusty and explosive areas.

Assembling Process

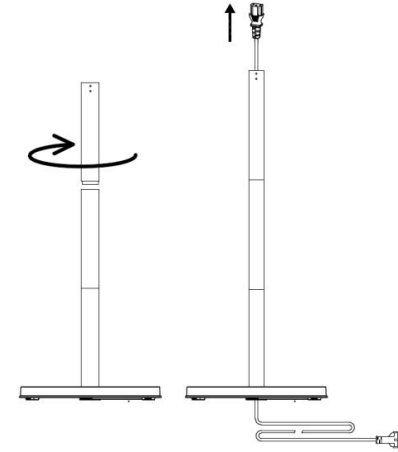
Step 1: Fix the bottom tube onto the base by screwing. Place the power cord plug through the base, bottom tube.



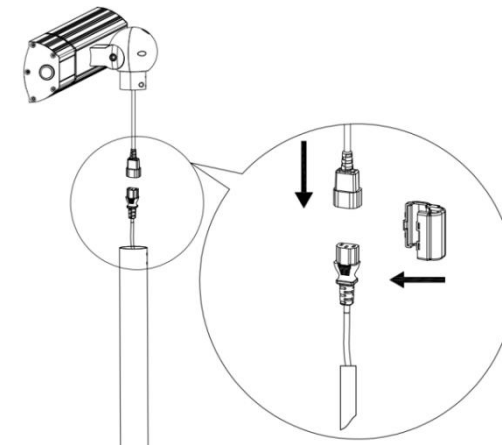
Step 2: Connect the middle tube with bottom tube by screwing them together. Place the power cord plug through the base, bottom tube and middle tube.



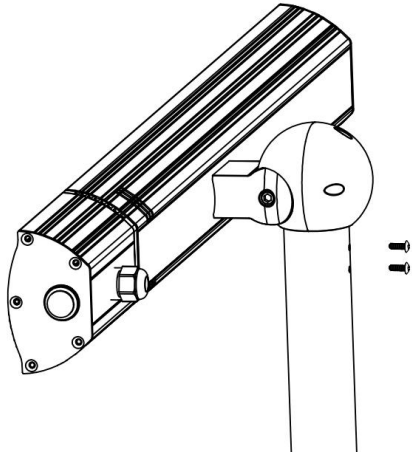
Step 3: Connect the top tube with middle tube by screwing them together (as same as Step 2). Place the power cord plug through the base, bottom tube and middle tube and top tube.



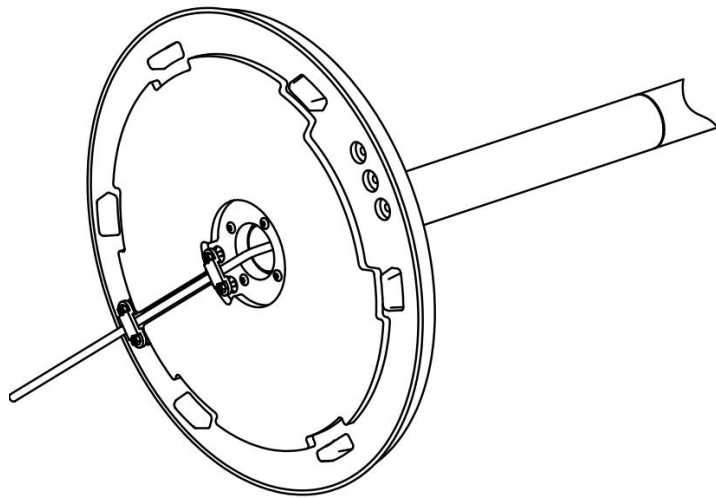
Step 4: Place the power cord plug through the base, bottom tube, middle tube and top tube. Connect the power cord plug to the socket in the heater head.



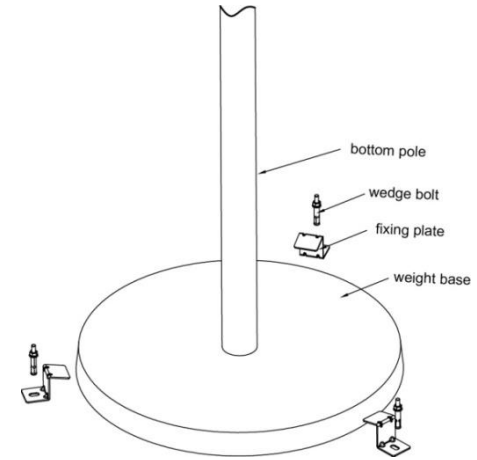
Step 5: Insert the Heater Head onto the top tube and fix in position using the 4*8mm screws.



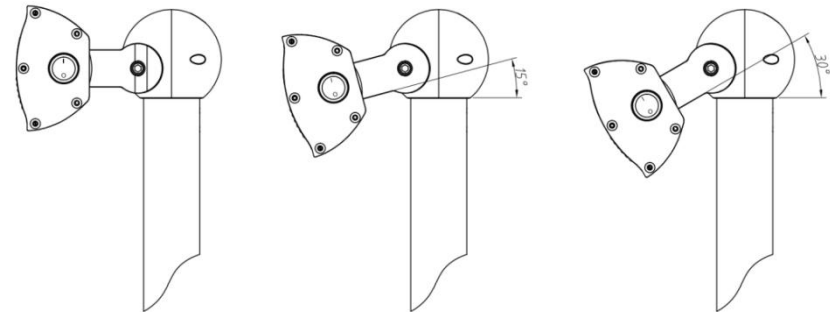
Step 6: Fix the Power Cord on the Base by using the 4*M4 screws.



Step 7: Fix the heater on the floor. Bore three holes in the floor, fix the heater by three wedge bolts on the floor tightening the screws by spanner.



Step 8: Loosen the two M6*10 screws by the L hexagonal wrench to change the best angle of the heating head, then re-tighten them.



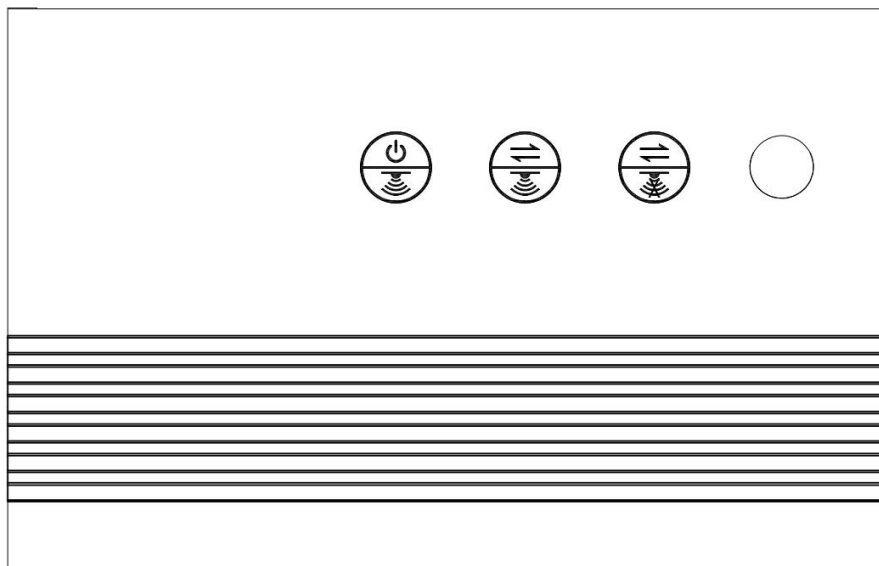
Operation

Connect the power cable to a 220-240V, 16 amp supply that is located in a safe, dry area.





- The switch on the heater is used to control the Heater. When the position mean on the 【I】 , the first indicator light will be turn red, the heater will be in standby mode. The 【O】 position will turn off the Heater.



The panel control:








Sensor mode

- Touch “”on the panel,The product enters the induction standby state.
- Touch “” once time, The power is high power.
- Touch “” second time, The power is middle power.
- Touch “” third time, The power is low power.

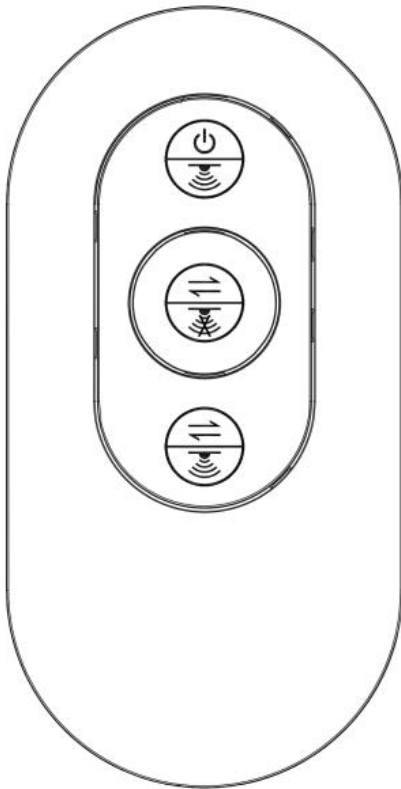
Perform the above operations, The product is in a static state within 8M before the sensor, and the product will turns off within 30 seconds. When a person or animal moves within its range, the product will be activated to enter the working state.

Non sensor mode





- When the product on standby model, touch “”on the panel,The product change to Non sensor model.
- Touch “”once time, The power is high power.
- Touch “” second time, The power is middle power.

- Touch “” third time, The power is low power.
- The device can be shut down by touching “” on the panel in any working model.

The remote control:








Sensor mode

- Press “” on the panel, The product enters the induction standby state.
- Press “” once time on the remote control, The power is high power.
- Press “” second time on the remote control, The power is middle power.
- Press “” third time on the remote control, The power is low power.

Perform the above operations, The product is in a static state within 8M before the sensor, and the product will turn off within 30 seconds. When a person or animal moves within its range, the product will be activated to enter the working state.

Non sensor mode

When the product on standby state, Touch “” on the panel, The product change for Non sensor model.

- Press “” once time on remote control , The power is high power.
- Press “” second time on remote control , The power is middle power.
- Press “” third time on remote control , The power is low power.
- Press “” on remote control when any working mode, can off the heater.
- Although the patio heater is waterproof, do not use when raining or in wet conditions.
- Never connect the power cable from the electrical supply, when the patio heater is not in use.

Care and maintenance

- When disconnected from the electrical supply, clean the outside of the patio heater with a damp cloth. Never use corrosive or solvent cleaners or immerse in water.
- Any maintenance or repairs including replacing the halogen tube should only be carried out by a qualified electrician or by a recommended service center.

Technical specification

- Power supply 220-240V, 50-60Hz
- Wattage max 2500W
- Insulation class I



WEEE

This symbol on the product or in the instructions means that your electrical and electronic equipment should be disposed at the end of its life separately from your household waste. There are separate collection systems for recycling in the EU. For more information please contact the local authority or your retailer where you purchased the product.