

## GENERAL PURPOSE SHELTER

12' x 20' x 9.3'(3.65 x 6.1 x 2.8 m)

## INSTRUCTION MANUAL

Model No.: 103-1115



**Please read instructions fully before beginning assembly!**

V.1.

# TABLE OF CONTENTS

SAFETY and PRE-ASSEMBLY CAUTIONS.....	2
PARTS LIST.....	3
ASSEMBLY INSTRUCTIONS.....	4-9

## SAFETY and PRE-ASSEMBLY CAUTIONS



### Warning!

- Read all safety instructions to reduce the risk of injury or death.
- No responsibility is accepted by Canadian Tire for damages or injuries resulting from improper installation or noncompliance

- This is a temporary structure and is not recommended as a permanent structure.
- Choose your shelter's location carefully. Check for overhead utility lines, branches, etc. DO NOT install near roofs or other structures that may shed snow, ice or excessive run-off onto your shelter. Keep away from electrical wires!
- Install your shelter on a level surface.
- Check municipal by-laws prior to setting up the product.
- Have an overview of all parts before attempting installation. Make sure all components are available.
- DO NOT use this product in environments for which it is not intended (i.e. extreme cold, high winds, extreme heat, heavy rainfall, etc).
- Always wear safety glasses when assembling this product. Wear gloves when working with tubing to prevent cuts or abrasions.
- **Caution!** Anchors must be used with all shelters. Covers should NOT be installed on any product until it has been properly anchored to the ground.
- Proper anchoring and keeping cover tight and free of snow and debris, is the responsibility of the consumer. Damages caused by improper anchoring are not covered under warranty.
- **Warning!** Keep all flame and heat sources away from the shelter fabric. The fabric will burn if left in continuous contact with a flame source.
- DO NOT use open flames or cooking or heating devices inside or in close proximity to the product, including all types of stoves, gas heaters, gas lanterns, citronella torches, mosquito coils, etc.
- **Warning!** In order to reduce risk of burning and avoid damage, DO NOT
  - cook, smoke, refuel or use any open flame devices in or around the shelter.
  - store flammable liquids (gasoline, kerosene, propane, etc.) in the shelter.
  - operate gas powered vehicles/equipment in or around the shelter.
- Keep open flames a safe distance away from the shelter.
- DO NOT use hard-edged tools or instruments, such as rakes or shovels, to remove snow. These can cause punctures to the cover.
- NEVER start the engine of any vehicle or machine inside a closed shelter. Ensure that there is adequate ventilation for starting engines and for any work with paints, cleaners, etc.
- This shelter is NOT designed to support heavy snow or ice loads. Snow or ice accumulation may cause your shelter to collapse. To avoid overload, brush snow and ice off the roof top with a broom or mop.
- To prevent collapse, damage to property, personal injury and/or death, NEVER clear the roof of snow or debris from inside the shelter.
- DO NOT use bleach, alkaline or harsh detergents for cleaning. Doing so will damage the polycarbonate material. Soap and warm water are recommended.
- DO NOT use bleach, alkaline or harsh detergents for cleaning. Doing so will damage the polycarbonate material. Soap and warm water are recommended.



## INTENDED USE

This temporary shelter is intended to offer protection from damage caused by the sun, light rain, light snow, tree sap, bird and animal excrement.

## CLEANING AND MAINTENANCE

- Do NOT apply any polishing or protective products to the roof tarp and panels or use harsh abrasives, bleach or cleansers. Roof tarp and panels can be easily cleaned with mild soap and water.
- Periodically check the anchors, the tension of the ropes and all hardware to ensure the stability of the shelter during use. It may be necessary to tighten the cover and the back/door panels. Be sure that all covers and panels are kept tight.
- Store your shelter in a cool, dry location between seasons to prolong the service life of all components. Components are not equally durable and may require replacement over time at different intervals.

**Please note that the Manufacturer has no control over the elements such as wind, heavy snow or rain. The Manufacturer cannot control the location or soil conditions into which the shed is placed. The Manufacturer, without control of the elements, location or soil conditions, cannot be held responsible for damages caused by the shed to other items or damages to the shed itself.**














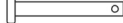



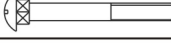
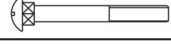
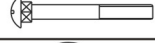








# ASSEMBLY

Please read instructions fully before beginning assembly.

## Step 1: Checking the Parts

Unpack and check the contents of the box. Make sure that you have all the parts described in the parts list shown hereafter.

## PARTS LIST

Part#	Description	Drawing	Qty.
1	Top Roof Tube		6
2	Rafter Roof Tube		12
3	Corner Leg Tube		4
4	Center Leg Tube (Top Part)		8
5	Center Leg Tube (Bottom Part)		8
6	Corner Bent Leg		4
7	Cross Rail Tube		5
8	Cross Rail Tube (with male end)		20
9	Support Brace (1st half)		4
10	Support Brace (2nd half)		4
11	Tube Connector		24
12	Foot Plate		8
13	Ratchet Tie Down		8
14	Pin Bolt		8
15	Cotton Pin		8
16	M6 Nut		50
17	M6 Washer		50
18	M6X80 Bolt		30
19	M6X45 Bolt		16
20	M6X35 Bolt		4
21	Roof Tarp		1
22	Front Door Panel (with zipper)		1
23	Back Panel		1
24	15" Auger Anchor		4
25	Cable 1'-Length		4
26	Cable Clamp		4
27	Rope		2
#	Owner's Manual		1

"#" Indicates a non-numbered part

Diagram A below represents the completed Frame Assembly once steps 1-2 are completed.

**Note: 4 or more people are required for safe and accurate assembly.**

Diagram A

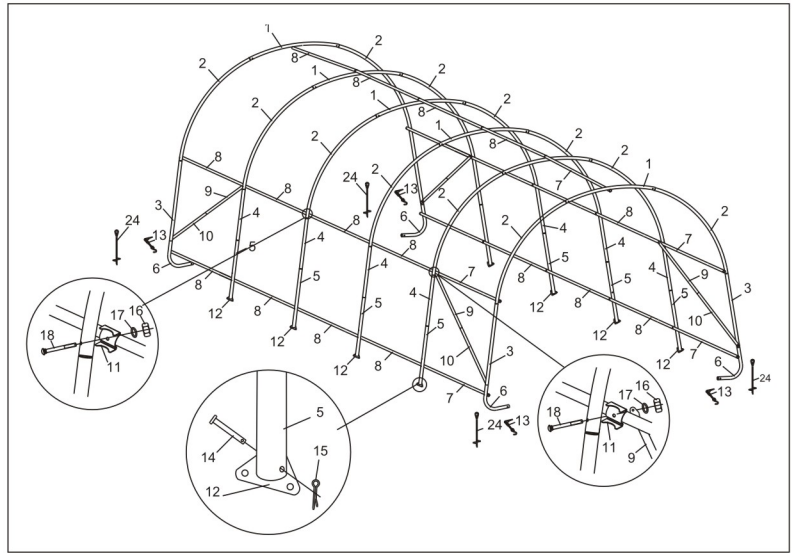


Diagram B

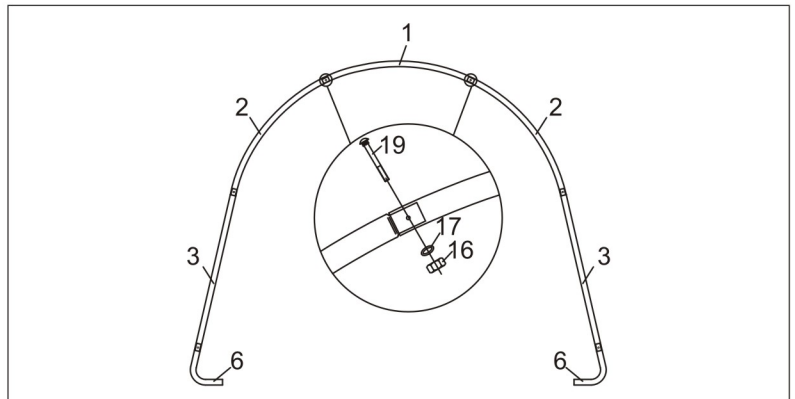
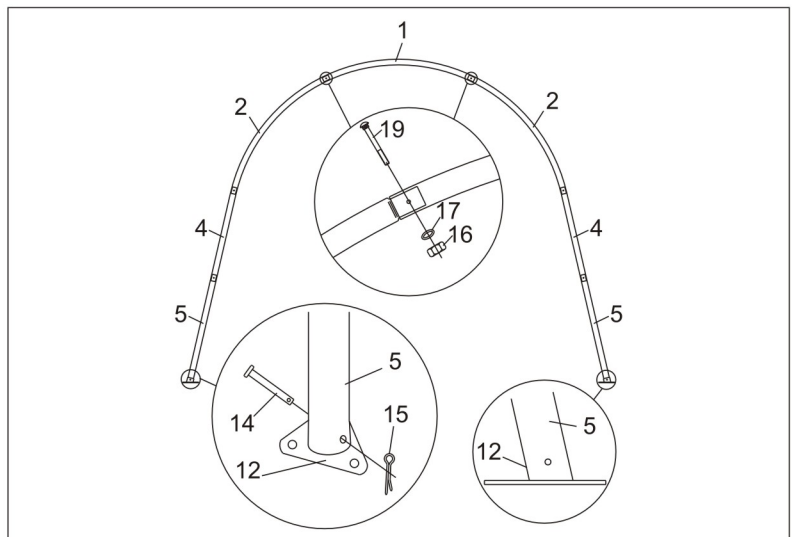


Diagram C



## Step 2: Frame Assembly

Select level and suitable location for your shelter.

### 1. Assembly the two End Ribs

- Follow Diagram B connecting the 7 tubes together (1pc tube #1, 2pcs tube #2, 2pcs tube #3 & 2pcs Bent Legs #6) to form 1 End Rib.
- Repeat it to get the other End Rib.

### 2. Assembly the 5 Center Ribs

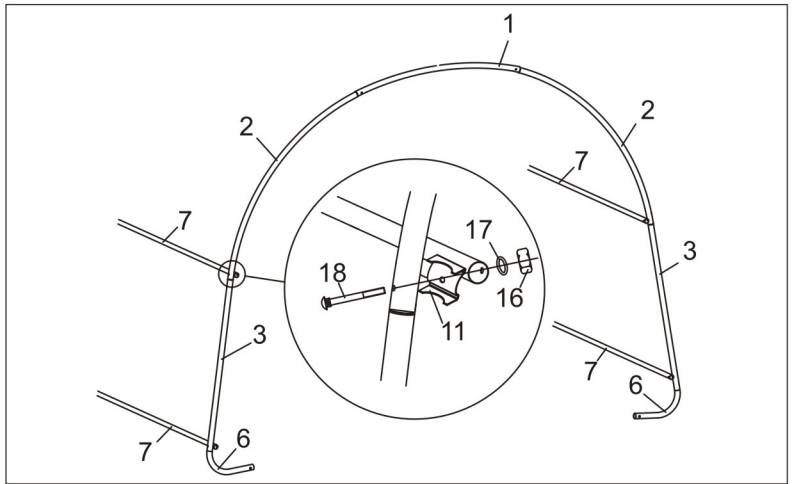
- Follow **Diagram C** connecting these 7 tubes together (1pc tube #1, 2pcs tube #2, 2pcs tube #4 & 2pcs tube #5) to form 1 Center Rib.
- Repeat it to get the other 4 Center Ribs.
- Insert the Center Ribs into the Foot Plate (#12). Align holes in the pole and foot plate, push the Pin Bolt (#14) through all the holes, Insert the Cotter Pin (#15) and split the tongues of the cotter pin with a slot screwdriver to secure this connection.

Use a rubber or wooden mallet to ensure all pipes are fully inserted.

### 3. Attach Side Cross Rails

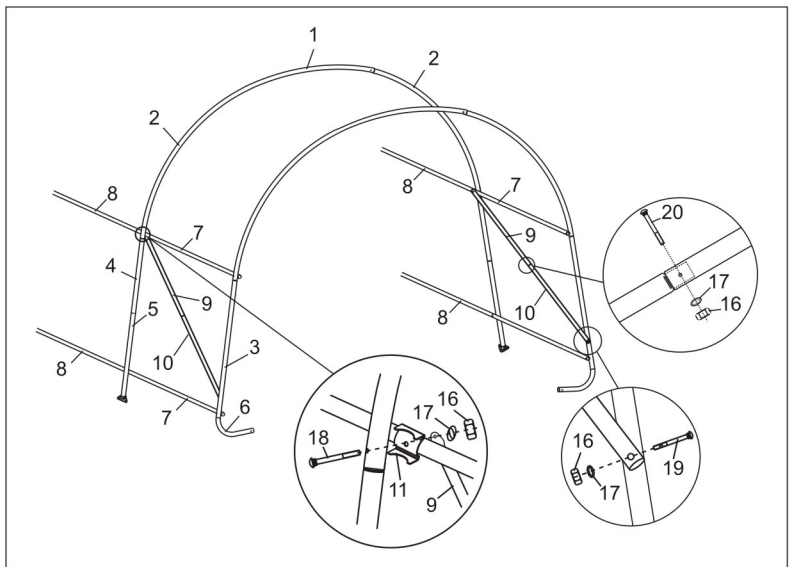
- a. Pick one End Rib & 4 Tube #7. Follow **Diagram D** use part #11 connecting Tube #7 and the End Rib by fittings (#16, #17 & #18).

Diagram D



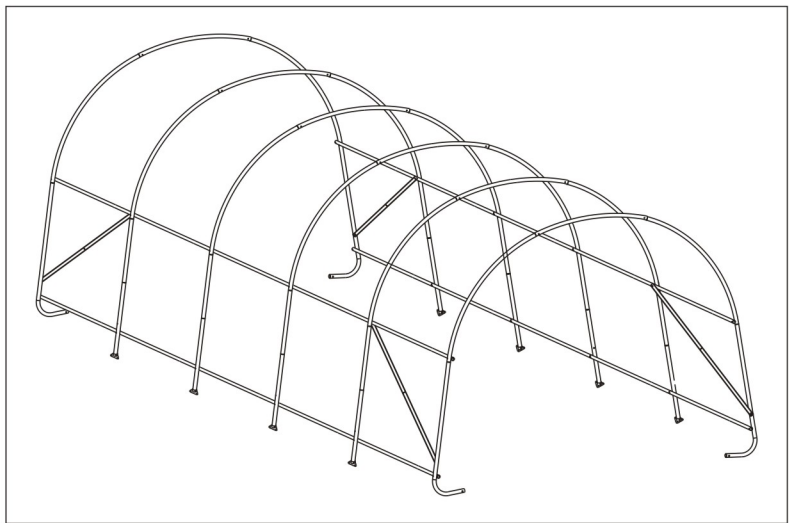
- b. Insert the male end of tube #8 into tube #7. See **Diagram E**
- c. Connect the two parts of Support Brace (#9 & #10) by Fittings (#16, #17 & #20)
- d. Fix one end of the Support Brace on tube #3 by Fittings (#16, #17 & #19). And Fix the other end of the Support Brace with tube #2, #7 & #8 by Connector #11 and fittings (#16, #17 & #18).

Diagram E



- e. Repeat above steps, connecting all the rest 3 Center Ribs and last end Ribs, you will get the whole frame finished as **Diagram F**

Diagram F



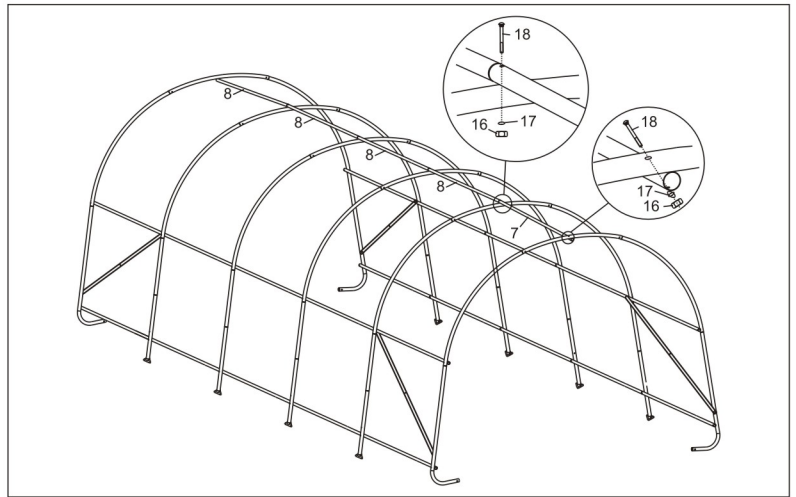
Note: The other set of Support Brace needs to be assembled in an opposite way with the 1st set.

#### 4. Attach Top Cross Rails

- a. Connect Tube #7 with the End Rib with fittings (#16, #17 & #18). And please fix tube #7 under the Rib top. See **Diagram G**.
- b. Insert Tube #8 into tube #7, and fix it to the next Center Rib by fittings (#16, #17 & #18). And now please follow **Diagram G** and fix Tube #8 on top of the Rib.

Note: The end of last Tube #8 still needs to be fixed and the End Rib.

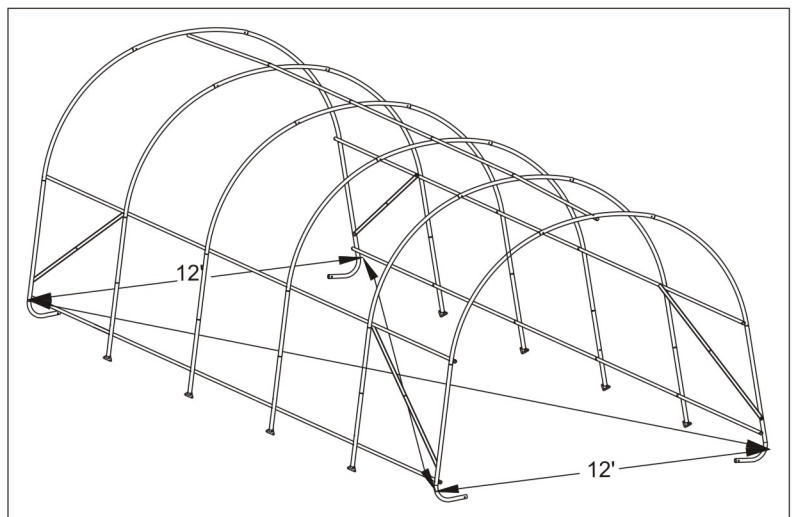
**Diagram G**



#### 5. Square and Anchor the Frame

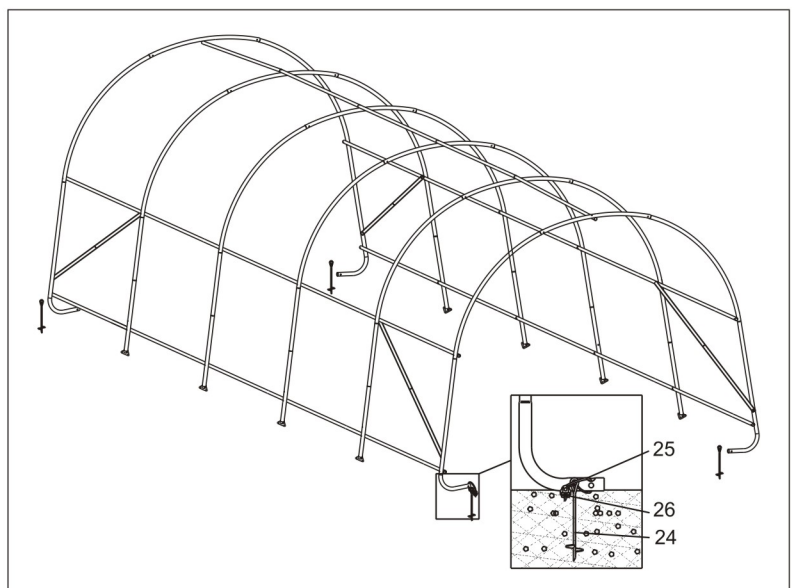
- a. Check the measure of frame both 12' at the front and back corners, as well as the center.
- b. Take a diagonal measure as shown in **Diagram H**. When these two measures are equal the frame is square. Adjust the frame until they are equal to within 1".
- c. Once equal check the width measures again to ensure all are equal at 12'.

**Diagram H**



- d. Next, install Anchors (Part #24, #25 & #26) at the 4 Corner bent legs by screwing the removable anchor (#24) into the ground and to the inside of the shelter. Secure with cable (#25) and cable clamp (#26) as shown in **Diagram I**.

**Diagram I**



### Step 3: Tarp Assembly

#### 1. Installing the Front and Back Covers.

The front cover contains a zippered door to allow entry and exit to the shelter. Ensure to locate this cover to the desired end. Also ensure the zipper is in the 'closed' position while installing. The back cover is a solid piece of polyethylene. The covers are installed in the same fashion.

- a. Begin with the front cover and first locate the webbed belt that runs the perimeter of the cover. The webbing is exposed at the peak, the shoulders and the feet of the cover. At the feet of the cover, the webbing has two loose ends. Tie off the two loose ends of the webbed belt, one to each of the two corner legs.
- b. Next, disconnect the 5 Cross Rails ends which connected with End Rib.
- c. Wrap the Door cover edge around the End Rib. See **Diagram J**.
- d. Insert the Cross Rail into each hole on the Door edge, and slip the webbed belt to be outside of the tube. Rejoin the pipes. See **Diagram K1, K2, K3**.
- e. Next, taking 1-piece Ratchet (Part #13), untie one end of the webbed belt at the foot of the leg and insert the belt to the ratchet as shown in the **Diagram K4** Ratchet a few times to tighten the belt to the ratchet. **Diagram K5** Next insert the S-hook of the ratchet into the foot of the Corner Leg and ratchet up / down a couple of times to hold the ratchet and belt in place. **Diagram K6**
- f. Repeat for the other loose end of the webbed belt.
- g. While one person remains on the stool and standing at the peak of the shelter, the other person tightens the ratchet, first at the foot of one corner leg and then moving over to the foot of the other corner leg.
- h. The person standing at the peak assists by ensuring the tarp is partially folded over the pipes of the end rib and inside or toward the interior of the shelter.
- i. Ensure the overlap of the cover flap remains square over the end rib and reaches the ground at the base while tightening the ratchets.

Diagram J

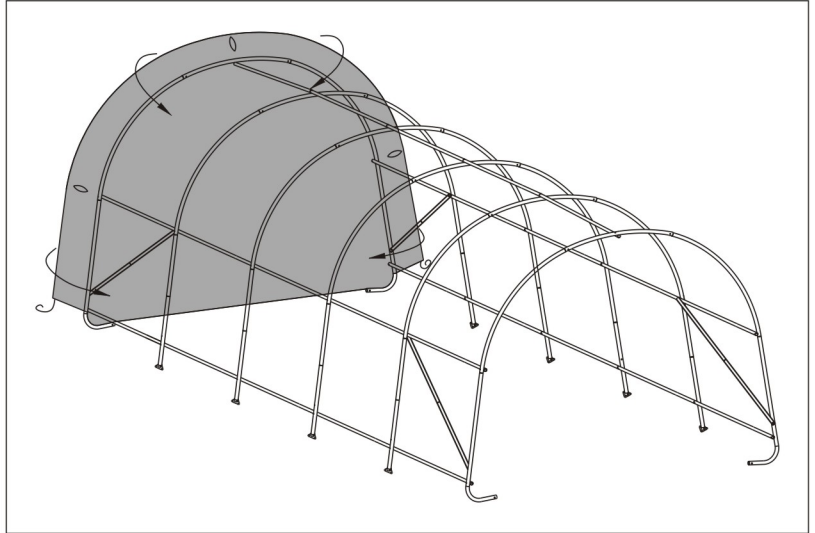
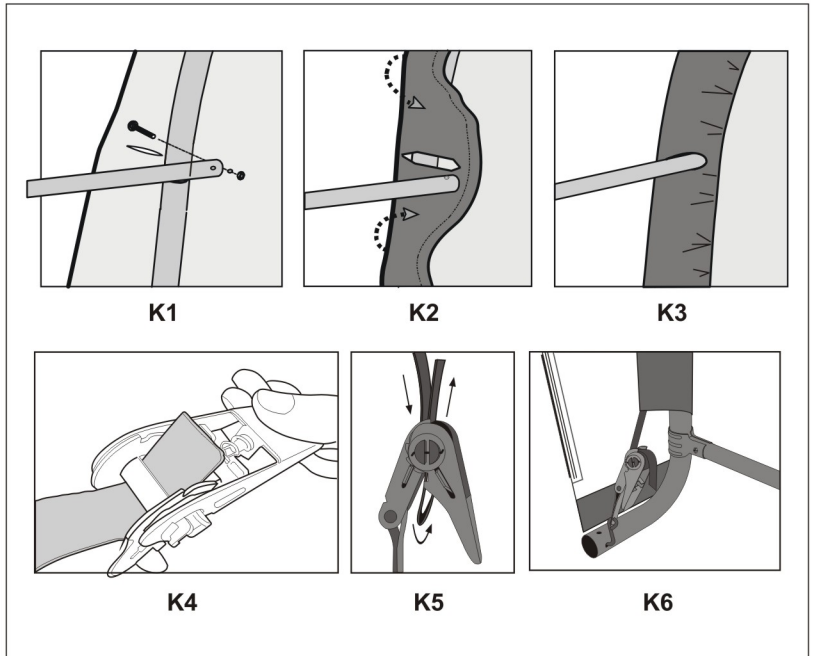


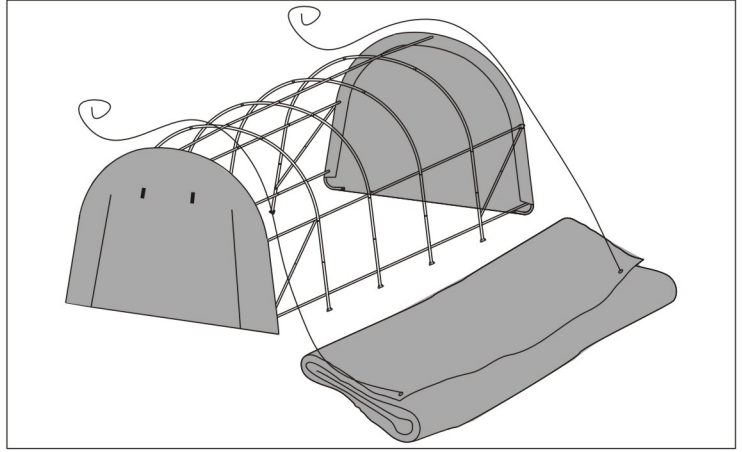
Diagram K



## 2. Installing the Main Cover

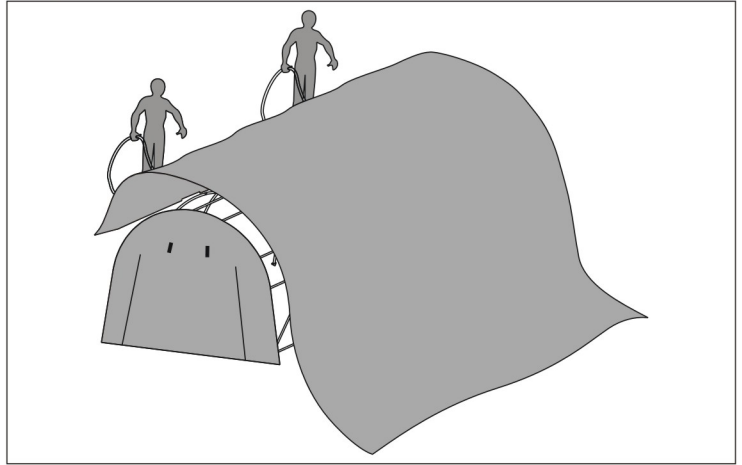
- a. Lay the cover on the ground next to the frame with inside of the cover (the side with eyelets) facing down and the webbing on the front and rear of the corner of the building. **Diagram L**.
- b. Tie a rope to the eyelets of the cover, each side one rope. (If you have enough people to work together, suggest you add another rope in the middle).

**Diagram L**



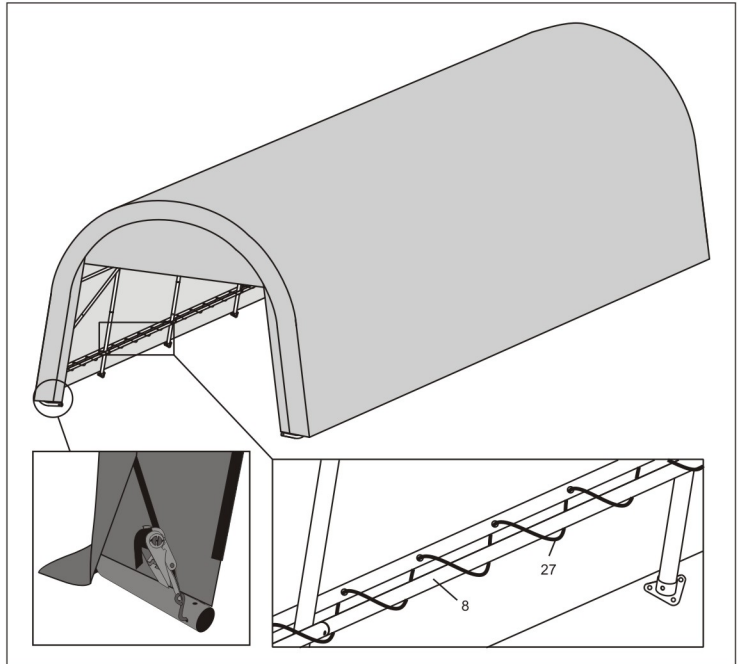
- c. Pull cover over the frame by the help of the rope as **Diagram M**, making sure to center cover on frame. There should be an equal amount of overhanging at all four corners.

**Diagram M**



- d. Assemble the ratchets (Part #28) to the web ends on the 4 corner of the cover, 1pc for each corner.
- e. Insert the "S" - hook on ratchet into hole on the Bent Corner Leg. Wind the ratchet so that the webbing overlaps itself. Do not over tighten.
- f. Follow below **Diagram N**, lacing the Cover with the bottom Cross Rails through the eyelets on the Cover bottom part. Make sure the Cover is even in front & back, also even in the 2 sides. Lacing the Cover tight on the frame.
- g. Tight the Ratchet again based on the Tarp tightness.

**Diagram N**



**NOTE:** Over-tightening can cause damage to straps and/or the anchor point.  
**DO NOT** over-tighten!

The shelter is now ready for use.



**Note: Please check periodically (two to three times in the first week - weekly for the balance of the first month of set up) and tighten ratchet tie-downs and all hardware as needed. Monthly inspection is recommended throughout usage.**

#### Disassembly

When disassembling the shelter, depress the spring-loaded bar and open ratchet handle completely to allow the webbed belt to disengage the ratchet.

**PLEASE RE-READ ALL WARNINGS CONTAINED ON PAGE 2 OF THESE INSTRUCTIONS. SAVE THESE INSTRUCTIONS FOR FUTURE USE.**

To dismantle, execute all instructions in reverse order.

Store your shelter in a cool, dry location between seasons to prolong usable life of all components.

Components are not equally durable and will require replacement over time at differing intervals.

